



CO2 Reduction (Based on 50kg Hour) 1225kg

Benefits

- The AR111 Retrofit product is a compact LED fitting suited to down-lighting applications. It is available in an IP67 option upon request for outdoor use.
- Typical applications for the AR111 light include; Retail display lighting, Office, Workshop, Residential, Hotel, Bar and Club environments.
- The AR111 Retrofit is available in various single colours, including Warm, Neutral, and Cool white. An RGB version is also available.
- AR111 lamp replacement
- Powered by Luxeon Rebel™
- Weatherproof options available
- 700mA max drive current
- Tough and durable machined aluminium housing

Features

Lumen Output	1142 Lumens
Wattage	20Watt
Input Power	240 Volts
Efficacy	142 Lum/Watt
Color Temperature (CCT)	3100k - 6500k
Color Rendering Index (CRI)	85
Beam Spread	6-15-25-40Degs
Rated Life	50,000 Hrs
LEDs	8 x Luxeon Rebel
Housing	Aluminium
Mounting Options	Recessed
Dimensions	110.5 Dia x 43.35mm
Power Supply	350mA / 700mA
Voltage	24 Volts
Warranty	2 Years
Environment	IP65

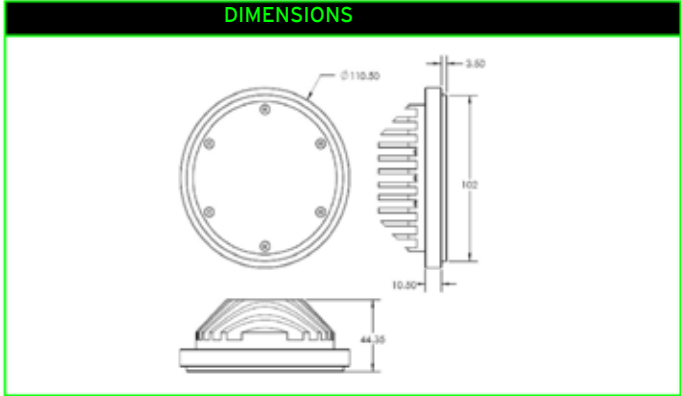
Applications

- Retail Lighting
- Restaurants, Bars and Hotels
- Architectural Lighting
- Display Lighting

ARIII



RGB Available on request



Recommended Drivers

Model
D36CC700-4-14IP67
D18CC350-4-14IP67

Description Code	Lumen Output
POLANA	
ED55-ARIII-350mA	680
ED55-ARIII-700mA	1142

Weights & Thermal Data

Lamp Type	Weight (kg)	Minimum Operating Temp (-10°C)	Maximum Ambient Temp (+40°C)
LED	1.2Kgs		

Available Light Output Colours

White N/W W/W Amber Red Green Blue

Order Details

Description Code	Lense Deg 6-15-25-40				LED Colour Option								Driver 350mA-700mA	
	N	M	W	EW	W/W	NW	CW	R	G	B	A	350	700	
ARIII														
ED55-ARIII														
*		*					*						*	

Example Order(*) ED55-ARIII-M-CW-350

We reserve the right to make changes at any time in order to maintain the highest product quality.

The Fountain Business Park Ellis Street Coatbridge ML5 3AA
 Phone: 07540 479985 Email: sales@edenillumination.com

The Studio 55 Castle Terrace Leven Fife KY8 5EU
 Phone: 07905 565604 Email: sales@edenillumination.com

Web: www.edenillumination.com

