

# TORNADO-4

 Led Lighting Solutions Provider

 **EDEN**  
illumination

Equal to 400-600Watt Metal Halide



  
**RoHS**  
Compliant

## Benefits

- The three key benefits of LEDs,
- Efficiency, Lifetime, and Safety,
- Maintenance free operation
- Energy efficient
- No UV or IR light radiation
- Long life 50,000 Hrs +
- Reliability
- Environmentally Friendly/No Toxic/Reduce Waste

## Features

Lumen Output	5700-9000 Lumens
Input Power	220 to 240 Volts ac
Efficacy	90 lm/W C/W
Color Temperature (CCT) C/W	6000K to 7000K W/W 2800K to 3300k
Color Rendering Index (CRI)	80
Beam Spread	120 - 150 Degs
Rated Life	50,000 Hrs
LEDs	1 High Power Led
Housing Die Casting Aluminum. 5mm High Strengthen Clear Glass	
Mounting Options	Surface
Dimensions	285mm x 360mm
Voltage	85-220 Volts ac
Warranty	3 Years
Environment	IP65
Approvals	CE Approved and ROHS Compliant
PIR	Dawn to Dusk Available on Request

CO2 Reduction (Based on 50kg Hour) 2458kg

## Applications

- Floodlighting
- Security Lighting
- Landscape Lighting
- Retail, corporate, public, residential
- Energy Saving Programs
- Exterior of building light
- On the bill board sign etc

Tornado-4

The Fountain Business Park Ellis Street Coatbridge ML5 3AA  
Phone: 07540 479985 Email: sales@edenillumination.com

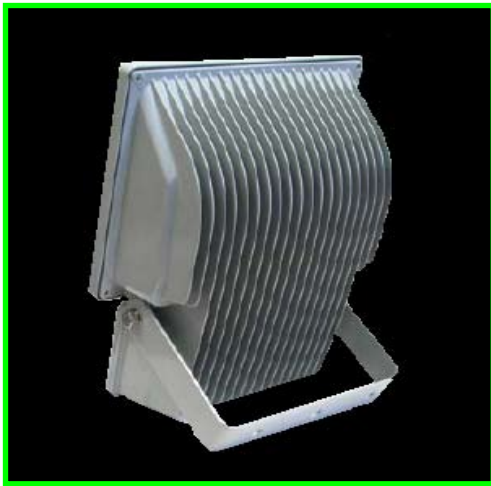
The Studio 55 Castle Terrace Leven Fife KY8 5EU  
Phone: 07905 565604 Email: sales@edenillumination.com

Web: [www.edenillumination.com](http://www.edenillumination.com)

 **EDEN**  
illumination

© Copyright [www.edenillumination.com](http://www.edenillumination.com)

# Tornado 4



## PIR DUSK-DAWN

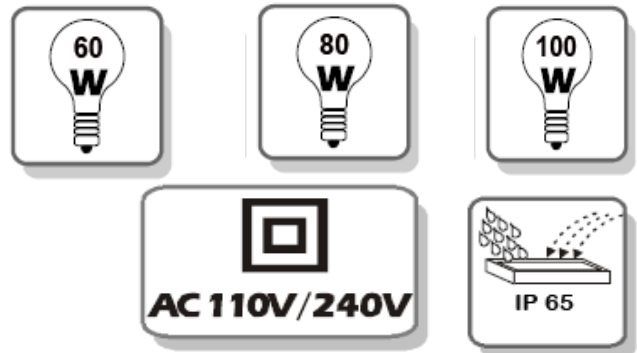
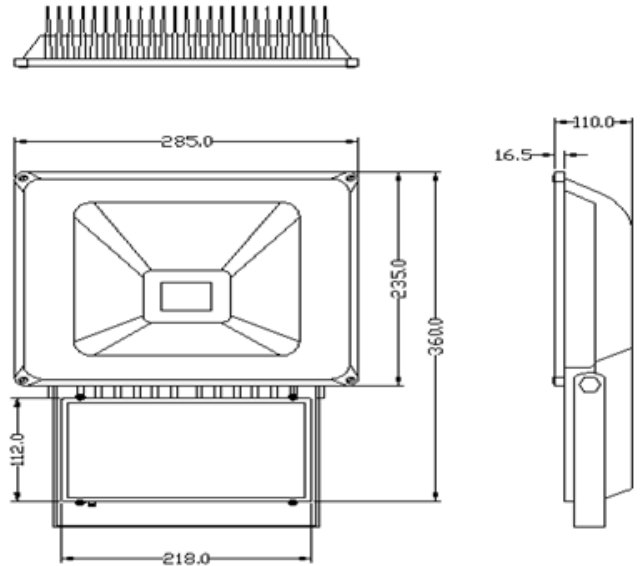
- Automatically Turns Lights On At Dusk & Off At Dawn For 240-277V Rated Fixtures
- Works With LED,
- Nothing To Adjust, Nothing To Set. Activates With Natural Sunlight
- Rugged Design, UL Tested for Minimum 6,000 Cycles (16.4 Years Daily On/Off) At 2000W Tungsten & 2000VA Ballast Loads At 277V
- Saves Energy, LED Life, Electricity And Money By Automatically Reducing Daily Operating Hours
- Discourages Intruders By Automatically Lighting Grounds At Night Time
- Impact Resistant Ultra Compact Size Fits In Tight Spaces



## Weights & Thermal Data

Lamp Type	Weight (kg)	Minimum Operating Temp (-20°C)	Maximum Ambient Temp (+40°C)
LED	3Kgs		

Description	Lumen Output	
Tornado 60W	CW 5800-6000 Lumen	WW 5700-5800 Lumen
Tornado 80W	CW 7200-7400 Lumen	WW 7000-7200 Lumen
Tornado 100W	CW 8600-9000 Lumen	WW 8400-8800 Lumen



## Available Light Output Colours



120 -150 Degs

## Order Details

Description Code	Wattage			Beam Angle 120 or 150 Degs		LED Colour Option					
	60w	80w	100w	120	150	CW	WW	R	G	B	Y
Tornado											
ED10-TOR-4-60w											
ED10-TOR-4-80w		*		*		*					
ED10-TOR-4-100w											

**Example Order(\*) ED10-TOR-4-80W-120-CW**

We reserve the right to make changes at any time in order to maintain the highest product quality.

The Fountain Business Park Ellis Street Coatbridge ML5 3AA  
Phone: 07540 479985 Email: sales@edenillumination.com

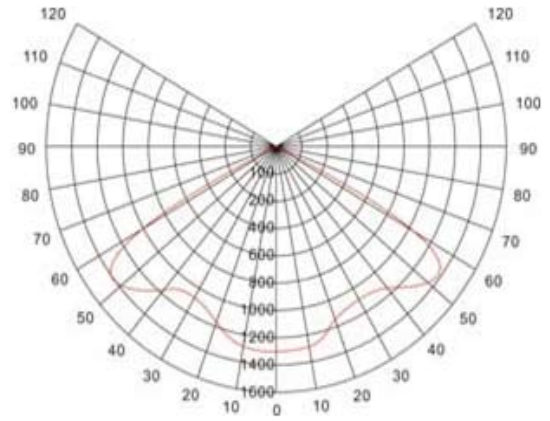
The Studio 55 Castle Terrace Leven Fife KY8 5EU  
Phone: 07905 565604 Email: sales@edenillumination.com

Web: [www.edenillumination.com](http://www.edenillumination.com)

TORNADO-4 REV-A SEP-2009

© Copyright [www.edenillumination.com](http://www.edenillumination.com)

# Tornado 3

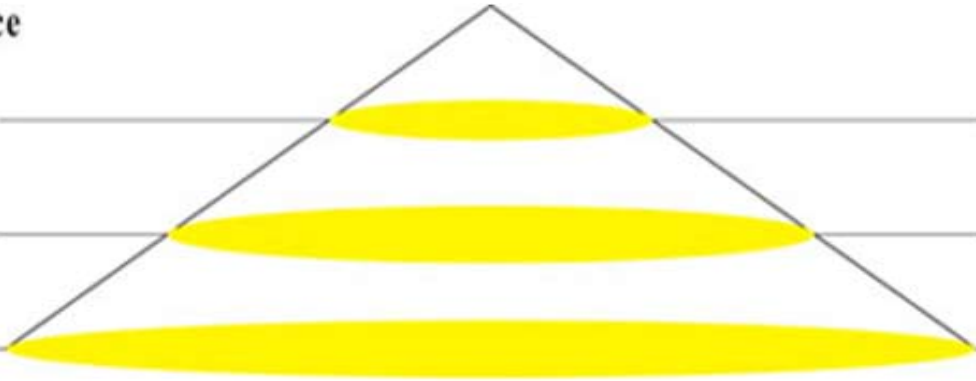


**Distance**

1m

2m

3m

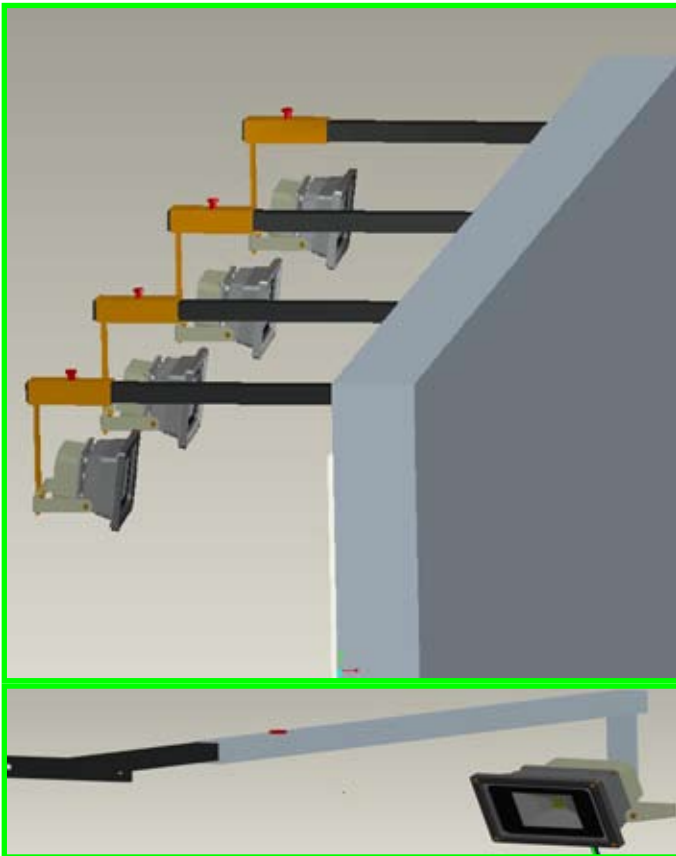


**Illuminance**

Center:2087Lux  
Fringe:1127Lux

Center:1037Lux  
Fringe:507Lux

Center:576Lux  
Fringe:274Lux



Extendable wall brackets available on request  
Manufactured to your requirements.

We reserve the right to make changes at any time in order to maintain the highest product quality.

The Fountain Business Park Ellis Street Coatbridge ML5 3AA  
Phone: 07540 479985 Email: sales@edenillumination.com

The Studio 55 Castle Terrace Leven Fife KY8 5EU  
Phone: 07905 565604 Email: sales@edenillumination.com

Web: [www.edenillumination.com](http://www.edenillumination.com)

TORNADO-4 REV-A SEP-2009

**EDEN**  
illumination