

ARMEDA RGB

 Led Lighting Solutions Provider

 **EDEN**
illumination



Description

The ARMEDA RGB has been developed to offer the end user an LED based solution to the standard halogen Dichroic lamp.

It has been designed dimensionally to fit directly in to any MR16 fitting.

Using the latest RGB-LED and optic technology incorporating 3x high power Seoul Semiconductor P5 LED's the RGB colour mixing is at source (3LED dies on one LED so essentially there are 9LED's) and therefore minimises fringing and separation of colours.

As a result the colour mixing of the ARMEDA is outstanding.

Typical applications for the ARMEDA RGB include MR16 downlights, architectural lighting, mood lighting, or Residential, Hotel, Bar and Club environments.

Features

Lumen Output	N/A
Wattage	9.5 Watt
Input Power	220 to 240 Volts ac
Efficacy	N/A
Color Temperature (CCT)	2300-5000K
Color Rendering Index (CRI)	80
Beam Spread	6 - 15 - 25 Degs
Rated Life	50,000 Hrs
LEDs	3 x Seoul Semi P5
Housing	Aluminium PCB Board
Mounting Options	Recessed
Dimensions	42.5mm DIA X 85.9mm
Warranty	3 Years
Environment	IP20

Applications

- MR16 Downlights
- Architectural Lighting
- Mood Lighting
- Residential
- Hotel Bar and Club Lighting

Benefits

- The three key benefits of LEDs,
- Efficiency, Lifetime, and Safety,
- Maintenance free operation
- Energy efficient
- Long life 50,000 Hrs +
- Reliability

ARMEDA RGB

The Fountain Business Park Ellis Street Coatbridge ML5 3AA
Phone: 07540 479985 Email: sales@edenillumination.com

The Studio 55 Castle Terrace Leven Fife KY8 5EU
Phone: 07905 565604 Email: sales@edenillumination.com

Web: www.edenillumination.com

 **EDEN**
illumination

ARMEDA RGB

Weights & Thermal Data

Lamp Type	Weight (kg)	Minimum Operating Temp (-10 °C)	Maximum Ambient Temp (+40 °C)
LED	.08KGS		



LIGHTING PERFORMANCE

Light Source	LED Qty	Lumen Output	Expected Lifetime
Seoul Semi P5	3	N/A	50,000hrs +

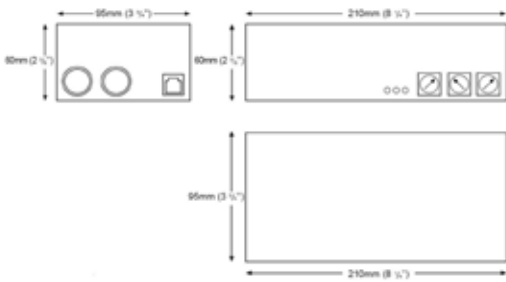
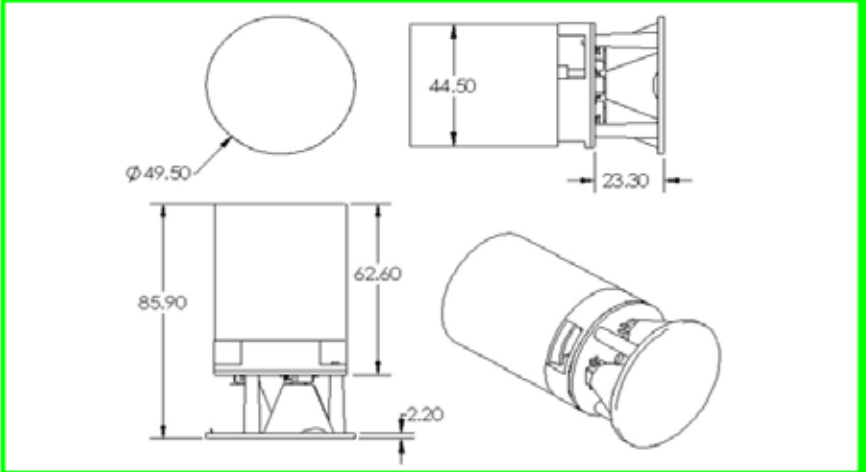
INPUT DATA

Drive Current	Input Voltage	Power Supply Type	Input Connection
N/A	12-30V DC	Constant Current RGB	RJ45

OPERATING DETAILS

LED Drive Current	Ambient Temp Range
Approximately 3.6W Per Channel	-10 to +40 Degrees C

Mechanical Dimensions



Recommended Drivers

MODEL

DMX350mA-36



Order Details

Description Code	Lense Angle			LED Colour
ARMEDA RGB	6	12	25	RGB
ED55-ARMEDA		*		*
Example Order(*) ED55-ARMEDA-12-RGB				

We reserve the right to make changes at any time in order to maintain the highest product quality.

The Fountain Business Park Ellis Street Coatbridge ML5 3AA
 Phone: 07540 479985 Email: sales@edenillumination.com

The Studio 55 Castle Terrace Leven Fife KY8 5EU
 Phone: 07905 565604 Email: sales@edenillumination.com

Web: www.edenillumination.com

ARMEDA RGB REV-A SEP-2009

