

Description

The LYNX I RGB Version is a simple plug and play system that allows designers and architects to link up to 12 units together (36 LED's in total) to create the mood or effect that is required.

Typically used for under shelf, cabinet or cove lighting this outstanding product can also be used for retail displays, signage, back lighting.

Various cable lengths are available to give designers excellent flexibility with this product.

RGB LINK LED

Features

Lumen Output	129 Typical Lumens
Wattage	4 Watt
Input Power	220 to 240 Volts ac
Efficacy	82.5 lm/W C/W
Color Temperature (CCT)	2300-5000K
Color Rendering Index (CRI)	80
Beam Spread	60 Degs
Rated Life	50,000 Hrs
LEDs	3 x Luxeon Rebel Red Green Blue
Housing	Aluminium PCB Board
Mounting Options	Surface
Dimensions	37.5mm X 10.5mm X 4.5mm
Warranty	3 Years
Environment	IP68

Applications

- Under Shelf Lighting
- Cabinet or Cove Lighting
- Retail Displays
- Signage
- Back Lighting

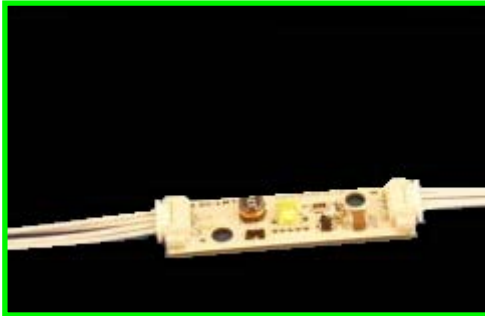
Benefits

- The three key benefits of LEDs,
- Efficiency, Lifetime, and Safety,
- Maintenance free operation
- Energy efficient
- Long life 50,000 Hrs +
- Reliability

LYNX I RGB

Weights & Thermal Data

Lamp Type	Weight (kg)	Minimum Operating Temp (-10 °C)	Maximum Ambient Temp (+40 °C)
LED	.08grams		



LIGHTING PERFORMANCE

Light Source	LED Qty	Lumen Output	Expected Lifetime
Luxeon Rebel	3	129 typical	50,000hrs +

INPUT DATA

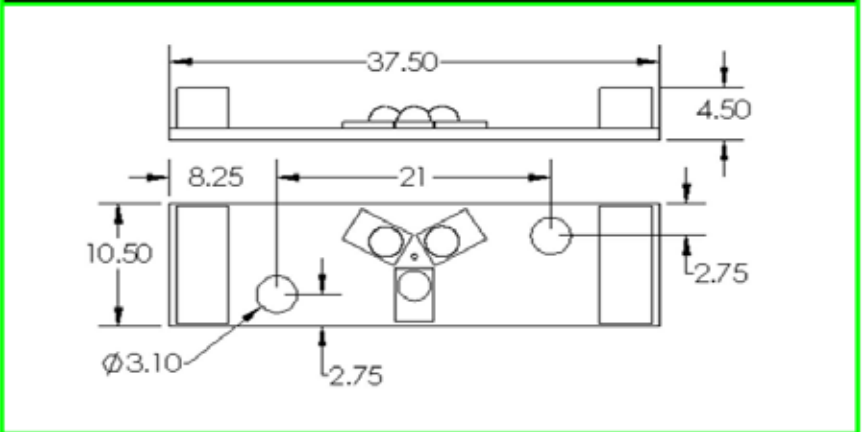
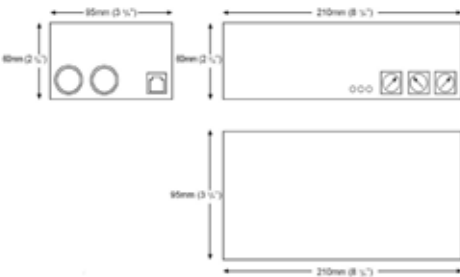
Drive Current	Input Voltage	Power Supply Type	Input Connection
350mA	N/A	Constant Current RGB	RJ45 (2.5M cable)

OPERATING DETAILS

LED Drive Current	Ambient Temp Range
350mA per channel	-10 to +40 Degrees C



Mechanical Dimensions



Module must be installed onto an adequate heatsink with a rating of <math>< 9.5 \text{ }^\circ\text{C/W}</math>



Recommended Drivers

MODEL
DMX350mA-36

Order Details

Description Code	QTY				Connection Cable	Connection Cable		
	3	6	9	12		100mm	150mm	200mm
LYNX RGB	3	6	9	12	RGB	100mm	150mm	200mm
ED55-LYNX		*			*	*		
Example Order(*) ED55-LYNX-6-RGB-100mm								

We reserve the right to make changes at any time in order to maintain the highest product quality.

The Fountain Business Park Ellis Street Coatbridge ML5 3AA
 Phone: 07540 479985 Email: sales@edenillumination.com

The Studio 55 Castle Terrace Leven Fife KY8 5EU
 Phone: 07905 565604 Email: sales@edenillumination.com

Web: www.edenillumination.com

LYNX I-RGB REV-A SEP-2009

© Copyright www.edenillumination.com

