

POLARIS RGB

 Led Lighting Solutions Provider

 **EDEN**
illumination



Description

The POLARIS RGB is a compact LED fitting ideal for in-ground applications.

This fitting offers endless Colour combinations and effects.

It is IP67 rated for indoor or outdoor use.

Typical applications for the Polaris RGB include Decking areas, Water Features, Walkways, Residential, Hotel, Bar and Club environments.

It is also ideal for flush ceiling or canopy lighting applications.

Connections are made through a loop in loop out system. Each unit has 1xFemale in connector and 1x Male out connector. Each connector is on a 500mm Lead.

Various cable lengths are available to give designers excellent flexibility with this product.

Features

Lumen Output	129 Typical Lumens
Wattage	4 Watt
Input Power	220 to 240 Volts ac
Efficacy	82.5 lm/W C/W
Color Temperature (CCT)	2300-5000K
Color Rendering Index (CRI)	80
Beam Spread	60 Degs
Rated Life	50,000 Hrs
LEDs	3 x Luxeon Rebel Red Green Blue
Housing	Aluminium PCB Board
Mounting Options	Spring clip for a 30mm Hole
Dimensions	50mm X 25mm X 25mm
Warranty	3 Years
Environment	IP67

Applications

- Decking Areas
- Water Features
- Walkways
- Residential
- Hotel Bar and Club Lighting

Benefits

- The three key benefits of LEDs,
- Efficiency, Lifetime, and Safety,
- Maintenance free operation
- Energy efficient
- Long life 50,000 Hrs +
- Reliability

POLARIS RGB

The Fountain Business Park Ellis Street Coatbridge ML5 3AA
Phone: 07540 479985 Email: sales@edenillumination.com

The Studio 55 Castle Terrace Leven Fife KY8 5EU
Phone: 07905 565604 Email: sales@edenillumination.com

Web: www.edenillumination.com

 **EDEN**
illumination

POLARIS RGB

Weights & Thermal Data

Lamp Type	Weight (kg)	Minimum Operating Temp (-10°C)	Maximum Ambient Temp (+40°C)
LED	.08grams		



LIGHTING PERFORMANCE

Light Source	LED Qty	Lumen Output	Expected Lifetime
Luxeon Rebel	3	129 TYPICAL	50,000hrs +

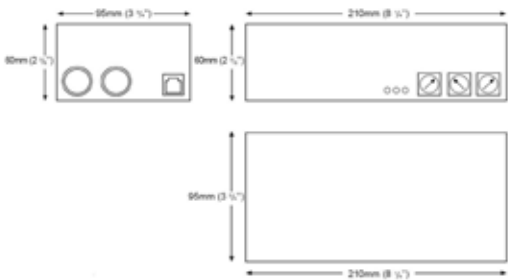
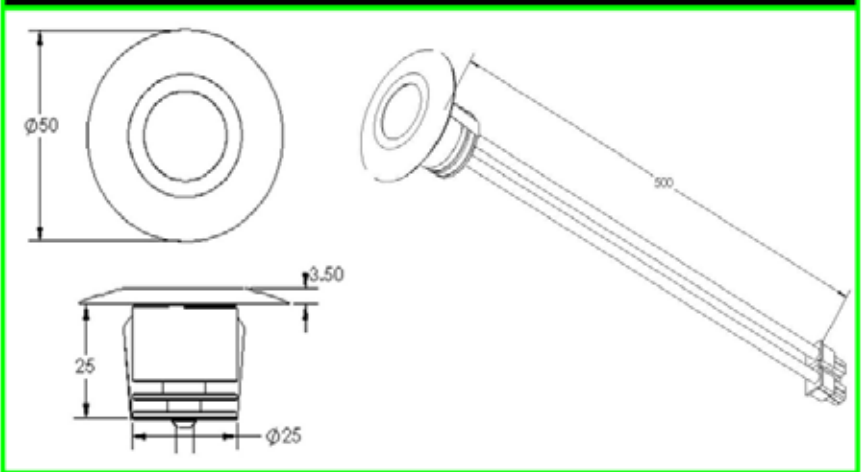
INPUT DATA

Drive Current	Input Voltage	Power Supply Type	Input Connection
N/A	12-30V DC	Constant Current RGB	RJ45

OPERATING DETAILS

LED Drive Current	Ambient Temp Range
350mA Per Channel	-10 to +40 Degrees C

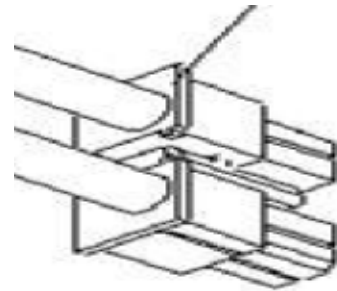
Mechanical Dimensions



Recommended Drivers

MODEL

DMX350mA-36



Order Details

Description Code	String				Color
	3	6	9	12	
POLARIS RGB	3	6	9	12	RGB
ED55-POLARIS		*			*
Example Order(*) ED55-POLARIS-6-RGB					

We reserve the right to make changes at any time in order to maintain the highest product quality.

The Fountain Business Park Ellis Street Coatbridge ML5 3AA
Phone: 07540 479985 Email: sales@edenillumination.com

The Studio 55 Castle Terrace Leven Fife KY8 5EU
Phone: 07905 565604 Email: sales@edenillumination.com

Web: www.edenillumination.com

POLARIS RGB REV-A SEP-2009

