



## WATERPROOF EMERGENCY LUMINAIRES WITH LEDs

### Weather LEDs Light



> The base of the "Weather LEDs Light" series is constructed from durable 3mm ABS material and the diffuser from high-impact strength polycarbonate.

- > Batteries Ni-Cd
- > Deep-discharge and over charge battery protection
- > Charge indication LED
- > Construction material: ABS, Polycarbonate.

- > Operation temperature range : 0 to 40 °C
- > Relative humidity: up-to 95%
- > Produced in accordance with: ÅÍ60598-1, ÅÍ60598-2-22



The self-adhesive legends below can be provided after order



ED15-S-93593/S65L  
(705693593)

ED15-S-93593/S65R  
(705693595)

ED15-S-93593/S65D  
(705693594)

## WATERPROOF EMERGENCY LUMINAIRES WITH LEDs

### NON-MAINTAINED EMERGENCY LUMINAIRES

TYPE	OPERATION VOLTAGE	CONSUMPTION	BATTERY	DURATION	LIGHT OUTPUT	WEIGHT
ED15-GR-935/4P	220-240V AC/ 50-60Hz	4VA	4.8/1.5Ah Ni-Cd	90 minutes	250 lm	950 gr.
ED15-GR-935/6P	220-240V AC/ 50-60Hz	4.8VA	4.8/3Ah Ni-Cd	90 minutes	400 lm	1160 gr.
ED15-GR-936/4P	220-240V AC/ 50-60Hz	5VA	4.8/3Ah Ni-Cd	3 hours	250 lm	1150 gr.
ED15-GR-936/6P	220-240V AC/ 50-60Hz	5.5VA	4.8/4Ah Ni-Cd	3 hours	400lm	1200 gr.

### SELF-TESTING, MAINTAINED EMERGENCY LUMINAIRES

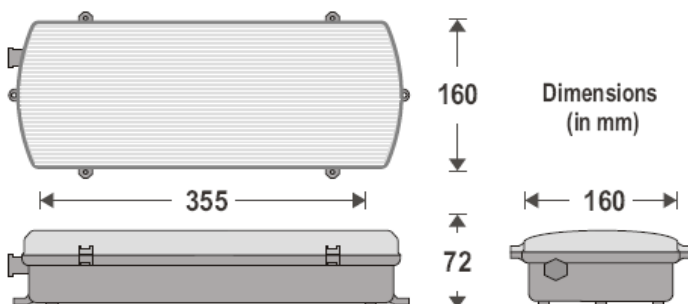
ED15-GR-938/4P	220-240V AC/ 50-60Hz	7VA	4.8/1.5Ah Ni-Cd	2 hours	125 / 250 lm	950 gr.
ED15-GR-938/6P	220-240V AC/ 50-60Hz	8VA	4.8V / 3Ah Ni-Cd	2 hours	200 / 400 lm	950 gr.
ED15-GR-939/4P	220-240V AC/ 50-60Hz	7VA	4.8V / 3Ah Ni-Cd	4 hours	125 / 250 lm	1050 gr.
ED15-GR-939/6P	220-240V AC/ 50-60Hz	8VA	4.8V / 4Ah Ni-MH	3 hours	200 / 400 lm	1050 gr.

### ACCESSORIES

ED15-C-101 Protective metallic grid 250x460x100mm

ED15-S-93593 Exit sticker 260x120mm (waterproof)

ED15-C-101



LEDs of high luminosity



90 minutes  
3 hours



Ni-Cd  
4.8V/1.5Ah  
4.8V/3Ah  
Ni-MH  
4.8V/4Ah



24 Metres



3 years guarantee  
(1 year for battery)



We reserve the right to make changes at any time in order to maintain the highest product quality.