



SELF-TESTING EMERGENCY LUMINAIRES WITH LEDs

3D Light LEDs



- > Ceiling mounting and hanging installation's capability
- > Suitable for aircrafts, super markets and in general, large area which multifacted and long distance's visibility is required.

- > Self testing luminaires
- > Automatic tests for: (Charging - Lamps - Duration) †
- > 3 indication LEDs (Charge - Lamp - Duration)
- > Batteries Ni-Cd 3.6V
- > Deep discharge and over charge battery protection

- > Test button
- > Construction material : ABS, Polycarbonate
- > Operation temperature range : 0 to 40 C
- > Relative humidity : up to 95%
- > Produced in accordance with : EN 60598-1, EN 60598-2-22

Project LEDs Light



Light LEDs Box



- > The self-testing luminaires are suitable for large modern buildings where a large number of reliable luminaires with a minimum maintenance cost are required.
- > A very sophisticated, high technology microprocessor monitors and measures all basic operation circuitry, essential for the good operation of the luminaires.

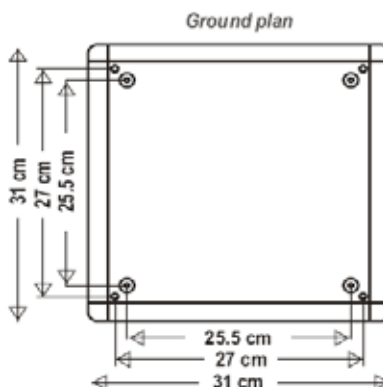
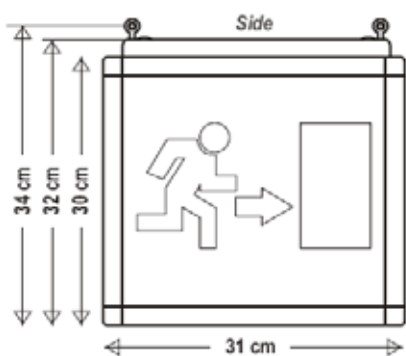
SELF-TESTING EMERGENCY LUMINAIRES WITH LEDs

SELF-TESTING, MAINTAINED LUMINAIRES

TYPE	OPERATION VOLTAGE	CONSUMPTION	BATTERY NI-CID	DURATION	POWER OF Light Source	WEIGHT
ED15-GR-415/4P	220-240V AC/ 50-60Hz	7VA	4.8V/ 1.5Ah	90 minutes	125 / 250 lm	2880 gr.
ED15-GR-416/4P	220-240V AC/ 50-60Hz	7VA	4.8V/ 3Ah	3 hours	125 / 250 lm	2950.gr.

LUMINAIRE FOR CBS

ED15-GR-424/4P	220-240V AC/ 50-60Hz	7VA	-----	-----	360 lm	2600
----------------	----------------------	-----	-------	-------	--------	------



SELF-TESTING EMERGENCY INDICATION LUMINAIRES from the "LIGHT BOX LEDs" series

TYPE	DESCRIPTION	DIMENSIONS (LxWxH)
ED15-GRL-512	Self-testing, maintained (double sided) / LEDs, 90mins.	280x145x84mm
ED15-GRL-514	Self-testing, maintained (double sided) / LEDs, 3h.	410x240x84mm
ED15-GRL-522	Self-testing, maintained (double sided) / LEDs, 90mins.	500x262x84mm
ED15-GRL-526	Self-testing, maintained (double sided) / LEDs, 3h.	655x377x84mm
ED15-GRL-532	Self-testing, maintained (double sided) / LEDs, 90mins.	280x145x84mm
ED15-GRL-534	Self-testing, maintained (double sided) / LEDs, 3h.	410x240x84mm
ED15-GRL-542	Self-testing, maintained (double sided) / LEDs, 90mins.	500x262x84mm
ED15-GRL-544	Self-testing, maintained (double sided) / LEDs, 3h.	655x377x84mm

LUMINAIRES FOR CBS (230V AC) from the "LIGHT BOX LEDs" series

ED15-GRL-550	For CBS (double sided) / LEDs	280x145x84mm
ED15-GRL-560	For CBS (double sided) / LEDs	410x240x84mm
ED15-GRL-570	For CBS (double sided) / LEDs	500x262x84mm
ED15-GRL-580	For CBS (double sided) / LEDs	655x377x84mm



SELF-TESTING EMERGENCY INDICATION LUMINAIRES from the "PROJECT LEDs LIGHT" series

ED15-GRL-822	Self-testing, maintained (double sided) / LEDs, 90Min.	480x320x50mm
ED15-GRL-824	Self-testing, maintained (double sided) / LEDs, 3h.	480x320x50mm
ED15-GRL-832	Self-testing, maintained (double sided) / LEDs, 90Min.	630x400x50mm
ED15-GRL-834	Self-testing, maintained (double sided) / LEDs, 3h.	480x320x50mm
ED15-GRL-842	Self-testing, maintained (double sided) / LEDs, 90Min.	480x320x50mm
ED15-GRL-844	Self-testing, maintained (double sided) / LEDs, 3h.	630x400x50mm



ACCESSORIES

ED15-A-1086	Metallic ceiling mounting rosette (device terminal)
ED15-A-1086	Metallic ceiling mounting rosette (device terminal)
ED15-A-1081	20cm extension rod
ED15-A-1082	40cm extension rod

We reserve the right to make changes at any time in order to maintain the highest product quality.



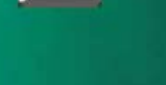
LEDs of high luminosity



3 hours
Ni-Cd
4.8V/1.5Ah
4.8V/3Ah



30 m.



IP 40

3 years guarantee
(1 year for battery)

