



Benefits

- The KRAKEN is designed to deliver high performance and maximum light intensity.
- The KRAKEN features 3 x 3W high power LEDs in a stylish aluminium housing which acts as sophisticated heat sink. This patented technology ensures that the unit is thermally stable even when driven at the specified 700mA rating. The lamp features standard bi-wire connectors in Heat resistant cable for ease of installation
- The KRAKEN utilizes EDEN illumination Cooling Technology specifically developed for driving high power CREE devices. It uniquely allows heat to dissipate efficiently making the product thermally stable for long hours of operation with a life of over 50,000 hours.

Features

Lumen Output	440LM,
Wattage	9-Watts
Input Power	85V - 265V AC or 24VDC
Efficacy	90 lm/W
Color Temperature (CCT)	2700K to 6500K
Color Rendering Index (CRI)	80
Beam Spread	8-15-30-45 Degs
Rated Life	50,000 Hrs
LEDs	3 X 3W high-power LED
Dimensions	91 Dia x 114mm high
Power Supply	350mA - 700mA LED driver included
Warranty	2 Years
Environment	IP65
Approvals	CE Approved and ROHS Compliant

KRAKEN

Applications:

- Retail Lighting
- Restaurants, Bars and Hotels
- Architectural Lighting
- Display Lighting

We reserve the right to make changes at any time in order to maintain the highest product quality.

The Fountain Business Park Ellis Street Coatbridge ML5 3AA
Phone: 07540 479985 Email: sales@edenillumination.com

The Studio 55 Castle Terrace Leven Fife KY8 5EU
Phone: 07905 565604 Email: sales@edenillumination.com

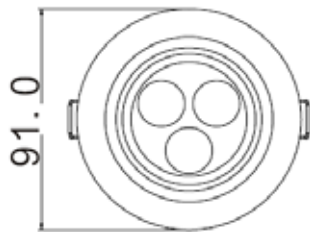
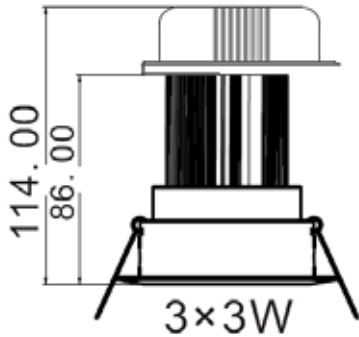
Web: www.edenillumination.com



KRAKEN REV-A SEP-2009

KRAKEN

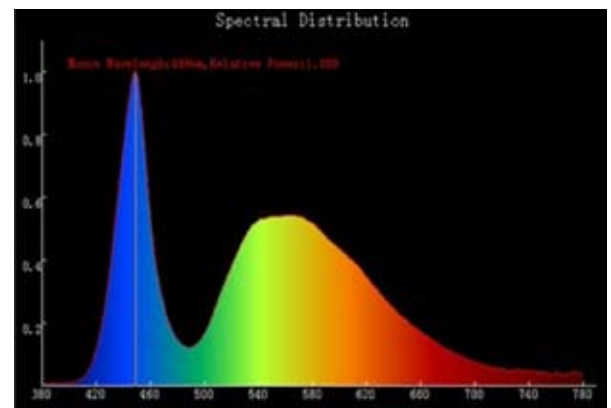
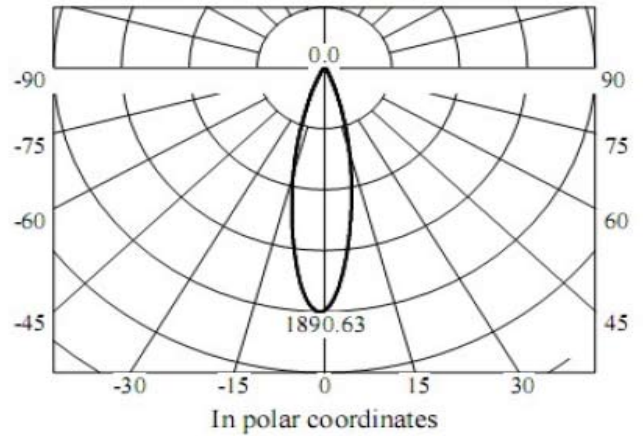
Lamp Head Adjustable +/- 20 Degs



81mm

Light Distributions

Luminous Intensity Diagram Curve



Weights & Thermal Data

Lamp Type	Weight (kg)	Minimum Operating Temp (-20°C)	Maximum Ambient Temp (+50°C)
LED	.46kgs		

Available Light Output Colours



Order Details

Description Code	Beam Angle 8-15-30-45 Degs					LED Colour Option				Finish Silver/Brass Shining White /Matt White					
	8 Degs	15 Degs	30 Degs	45 Degs	60 Degs	Warm white	Cool White	Red	Green	Blue	Amber	Silver	Brass	Shining White	Matt White
KRAKEN															
ED20-KRAKEN	N	M	W	E/W	EXW	W/W	C/W	R	G	B	A	S	B	S/W	M/W
*				*				*				*			

Example Order(*) ED20-KRAKEN-EW-R-S

We reserve the right to make changes at any time in order to maintain the highest product quality.

The Fountain Business Park Ellis Street Coatbridge ML5 3AA
Phone: 07540 479985 Email: sales@edenillumination.com

The Studio 55 Castle Terrace Leven Fife KY8 5EU
Phone: 07905 565604 Email: sales@edenillumination.com

Web: www.edenillumination.com

KRAKEN REV-A SEP-2009

© Copyright www.edenilluminations.com

