



CO2 Reduction (Based on 50kg Hour) 1925kg

## Benefits

- The NYSA is designed to deliver high performance and maximum light intensity.
- The NYSA features 6 x 3W high power LEDs in a stylish aluminium housing which acts as sophisticated heat sink. This patented technology ensures that the unit is thermally stable even when driven at the specified 700mA rating. The lamp features standard bi-wire connectors in Heat resistant cable for ease of installation
- The NYSA utilizes EDEN illumination Cooling Technology specifically developed for driving high power CREE devices. It uniquely allows heat to dissipate efficiently making the product thermally stable for long hours of operation with a life of over 50,000 hours.

## Features

|                             |                                |
|-----------------------------|--------------------------------|
| Lumen Output                | 750 Lumens                     |
| Wattage                     | 18Watt                         |
| Input Power                 | 24V / 240 Volts                |
| Efficacy                    | 90 Lum/Watt                    |
| Color Temperature (CCT)     | 3100k - 6500k                  |
| Color Rendering Index (CRI) | 85                             |
| Beam Spread                 | 8-15-30-45 Degs                |
| Rated Life                  | 50,000 Hrs                     |
| LEDs                        | 3W CREE                        |
| Housing                     | Aluminium                      |
| Mounting Options            | Recessed                       |
| Dimensions                  | 132 Dia x 118.52mm             |
| Power Supply                | 350mA OR 700mA                 |
| Working Voltage             | 12 Volts                       |
| Warranty                    | 2 Years - Driver 2 Years       |
| Environment                 | IP65                           |
| Approvals                   | CE Approved and ROHS Compliant |

NYSA



## Applications

- Retail Lighting
- Restaurants, Bars and Hotels
- Architectural Lighting
- Display Lighting

We reserve the right to make changes at any time in order to maintain the highest product quality.

The Fountain Business Park Ellis Street Coatbridge ML5 3AA  
Phone: 07540 479985 Email: sales@edenillumination.com

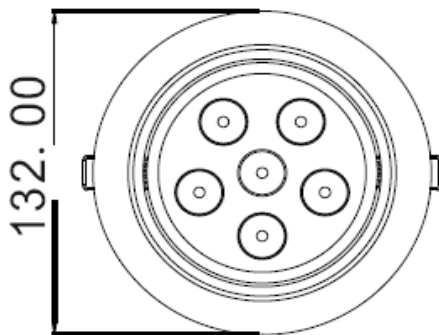
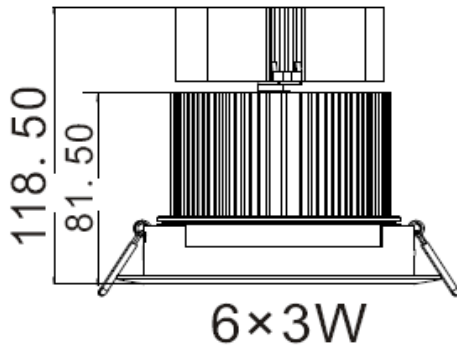
The Studio 55 Castle Terrace Leven Fife KY8 5EU  
Phone: 07905 565604 Email: sales@edenillumination.com

Web: [www.edenillumination.com](http://www.edenillumination.com)



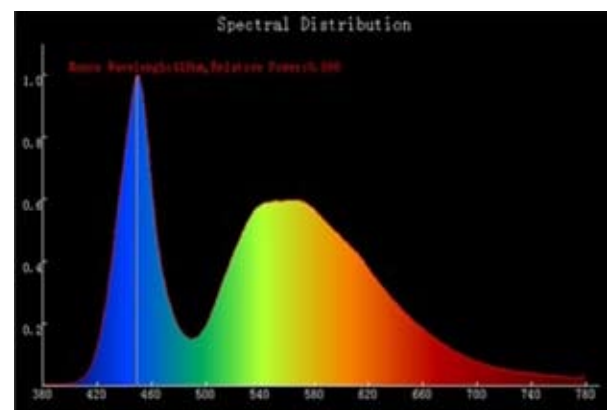
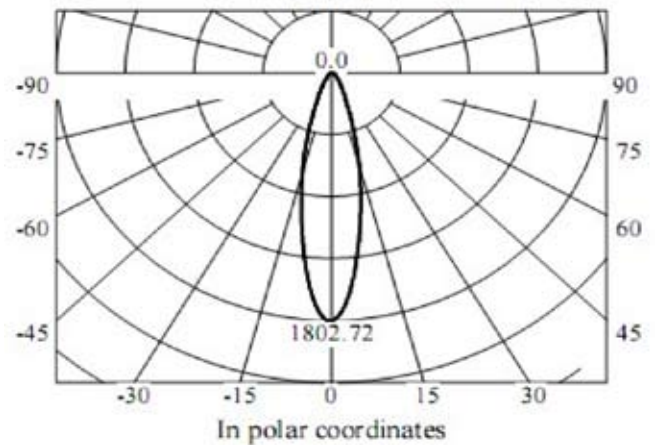
# NYSA

Lamp Head Adjustable +/- 30 Degs



## Light Distributions

Luminous Intensity Diagram Curve



## Weights & Thermal Data

| Lamp Type | Weight (kg) | Minimum Operating Temp (-20°C) | Maximum Ambient Temp (+50°C) |
|-----------|-------------|--------------------------------|------------------------------|
| LED       | .86kgs      |                                |                              |

## Available Light Output Colours



## Order Details

| Description Code                  | Beam Angle<br>8-15-30-45 Degs |         |         |         |         | LED Colour Option |            |     |       |      |       | Finish<br>Silver/Brass<br>Shining White /Matt White |       |               |            |
|-----------------------------------|-------------------------------|---------|---------|---------|---------|-------------------|------------|-----|-------|------|-------|---|-------|---------------|------------|
|                                   | 8 Degs                        | 15 Degs | 30 Degs | 45 Degs | 60 Degs | Warm white        | Cool White | Red | Green | Blue | Amber | Silver  | Brass | Shining White | Matt White |
| NYSA                              | N                             | M       | W       | E/W     | EXW     | W/W               | C/W        | R   | G     | B    | A     | S   | B     | S/W           | M/W        |
| *                                 |                               |         |         | *       |         |                   |            | *   |       |      |       | *   |       |               |            |
| Example Order(*) ED20-NYSA-EW-R-S |                               |         |         |         |         |                   |            |     |       |      |       |   |       |               |            |

We reserve the right to make changes at any time in order to maintain the highest product quality.

The Fountain Business Park Ellis Street Coatbridge ML5 3AA  
Phone: 07540 479985 Email: sales@edenillumination.com

The Studio 55 Castle Terrace Leven Fife KY8 5EU  
Phone: 07905 565604 Email: sales@edenillumination.com

Web: [www.edenillumination.com](http://www.edenillumination.com)

NYSA REV-A SEP-2009

© Copyright [www.edenilluminations.com](http://www.edenilluminations.com)

