

ELVIRA Drive Over Light



Applications

- Driveways Lighting
- Bridges
- Park
- Square
- Greenland
- Decorative outdoor lighting,
- Display Lighting

Benefits

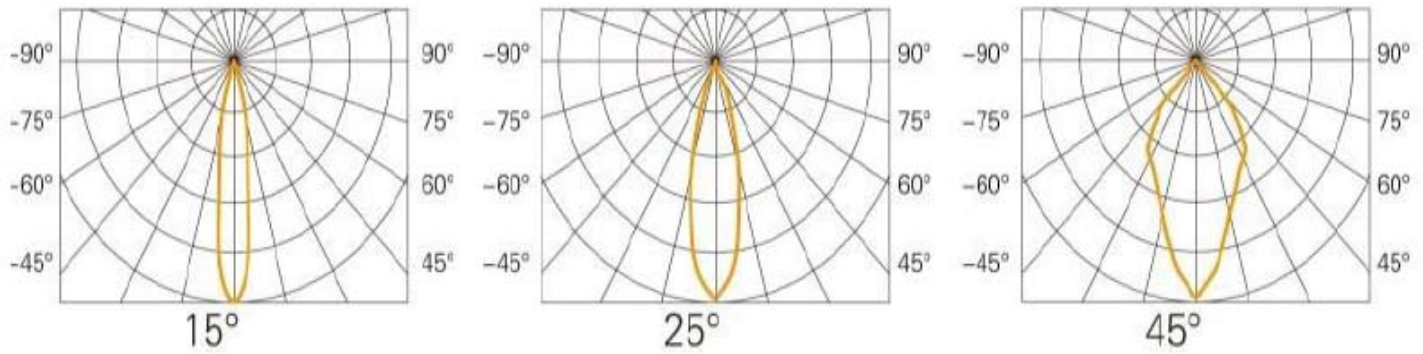
- Source life: More than 50,000 hours
- Low heat, no UV or IR light radiation
- Full range of light output colours
- Choice of beam angles from 15° - 45°
- Sophisticated heat sink with excellent thermal efficiency
- Safety Standard:
- DMX or Constant current Driver



Features

Projection Distance	15 Mtr
Wattage	18-21 Watt
Input Power	220 TO 240 Volts
Efficacy	65 Lum/Watt
Color Temperature (CCT)	75
Color Rendering Index (CRI)	3000k - 7000k
Beam Spread	15 - 25 -45 Degs
Rated Life	50,000 Hrs +
LEDs	Cree High Power
Housing	Aluminium Base Toughened Glass
Mounting Options	Inground
Dimensions	180-220mm Dia x235mm Deep
Power Supply	DMX - Constant Current
Voltage	12 Volts
Warranty	3 Years - Driver 2 Years

Light Distribution Curve



Performance	Parameter		Parameter	
Product Item	ED25-ELVIRA-12Watt		ED25-ELVIRA-15Watt	
Color	Change Color	Single Color	Change Color	Single Color
LED Quantity	4R+4G+4B	12R/12G/12B 12Y/12W	5R+5G+5B	15R/15G/15B 15Y/15W
LED Power	12W	12W	15W	15W
Input Voltage	AC100~240V	AC100~240V	AC100~240V	AC100~240V
Frequency Range	50~60Hz	50~60Hz	50~60Hz	50~60Hz
Input Current	Max0.2A	Max0.2A	Max0.2A	Max0.2A
Projection Distance	≤15m	≤15m	≤15m	≤15m
Reference Lens	15° 25° 45°	15° 25° 45°	15° 25° 45°	15° 25° 45°
Controlling Type	DMX512	Constant Current	DMX512	Constant Current
Temperature of Working Condition	-25°C~50°C	-25°C~50°C	-25°C~50°C	-25°C~50°C
Humidity of Working Condition	10%~90%	10%~90%	10%~90%	10%~90%
Lifespan	> 30000H	> 30000H	> 30000H	> 30000H
Protection Grade	IP67	IP67	IP67	IP67
Lamp Weight	2.8Kg	2.8Kg	2.8Kg	2.8Kg

ELVIRA

Performance	Parameter		Parameter	
Product Item	ED25-ELVIRA-18Watt		ED25-ELVIRA-21Watt	
Color	Change Color	Single Color	Change Color	Single Color
LED Quantity	6R+6G+6B	18R/18G/18B 18Y/18W	7R+7G+7B	21R/21G/21B 21Y/21W
LED Power	18W	18W	21W	21W
Input Voltage	AC100~240V	AC100~240V	AC100~240V	AC100~240V
Frequency Range	50~60Hz	50~60Hz	50~60Hz	50~60Hz
Input Current	Max0.2A	Max0.2A	Max0.2A	Max0.2A
Projection Distance	≤15m	≤15m	≤15m	≤15m
Reference Lens	15° 25° 45°	15° 25° 45°	15° 25° 45°	15° 25° 45°
Controlling Type	DMX512	Constant Current	DMX512	Constant Current
Temperature of Working Condition	-25°C~50°C	-25°C~50°C	-25°C~50°C	-25°C~50°C
Humidity of Working Condition	10%~90%	10%~90%	10%~90%	10%~90%
Lifespan	> 30000H	> 30000H	> 30000H	> 30000H
Protection Grade	IP67	IP67	IP67	IP67
Lamp Weight	3.4Kg	3.4Kg	3.4Kg	3.4Kg

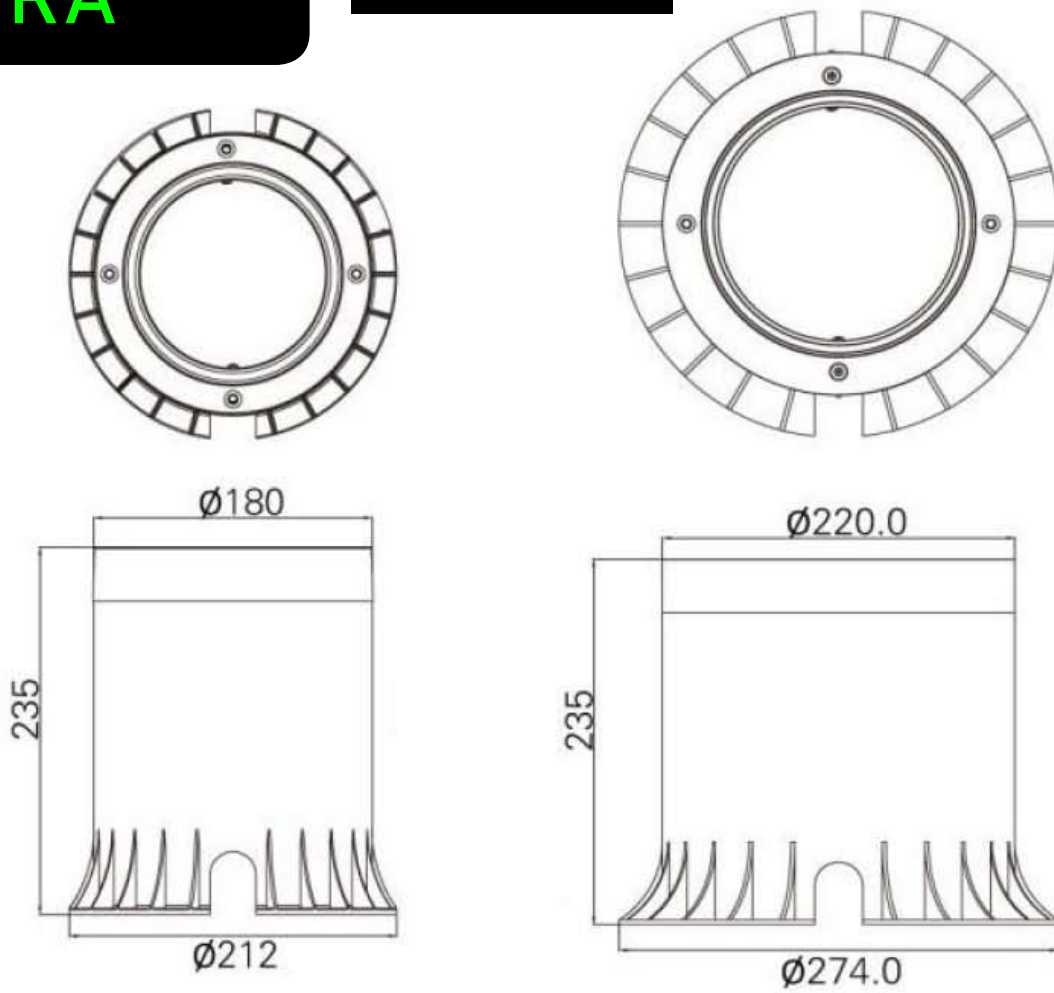
The Fountain Business Park Ellis Street Coatbridge ML5 3AA
 Phone: 07540 479985 Email: sales@edenillumination.com

The Studio 55 Castle Terrace Leven Fife KY8 5EU
 Phone: 07905 565604 Email: sales@edenillumination.com

ELVIRA REV-A SEP-2009

Web: www.edenillumination.com

© Copyright www.edenillumination.com



Product Accessories



ED25-ELVIRA REFLECTOR



ED25-ELVIRA BASE



ED25-ELVIRA DRIVER BOX

Colour Reference



Weights & Thermal Data

Lamp Type	Weight (kg)	Minimum Operating Temp (-20°C)	Maximum Ambient Temp (+40°C)
LED	2.8-3.2Kg		



21R

18L

15R

12L

Can withstand 5000Kgs of gravity.

The reflector type can rotate the angle to change the light Direction.

SIRONA

Order Details

Description Code	Optic Angle			Type				LED Colour Option					
	15	25	45	12L	15R	18L	21R	C/W	R	G	B	Y	RGB
ELVIRA													
ED25-ELVIRA													
*	*					*		*					
Example Order(*) ED55-ELVIRA-15-18L-C/W													

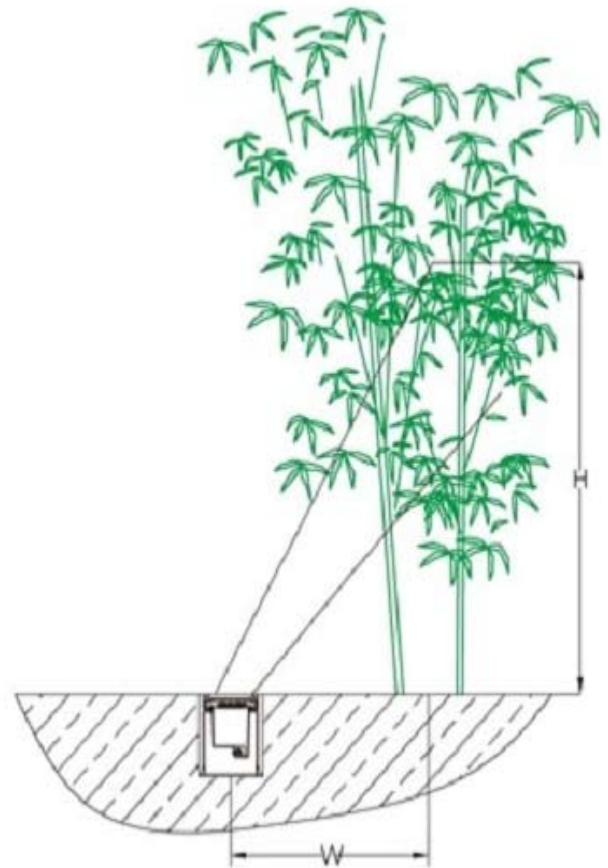
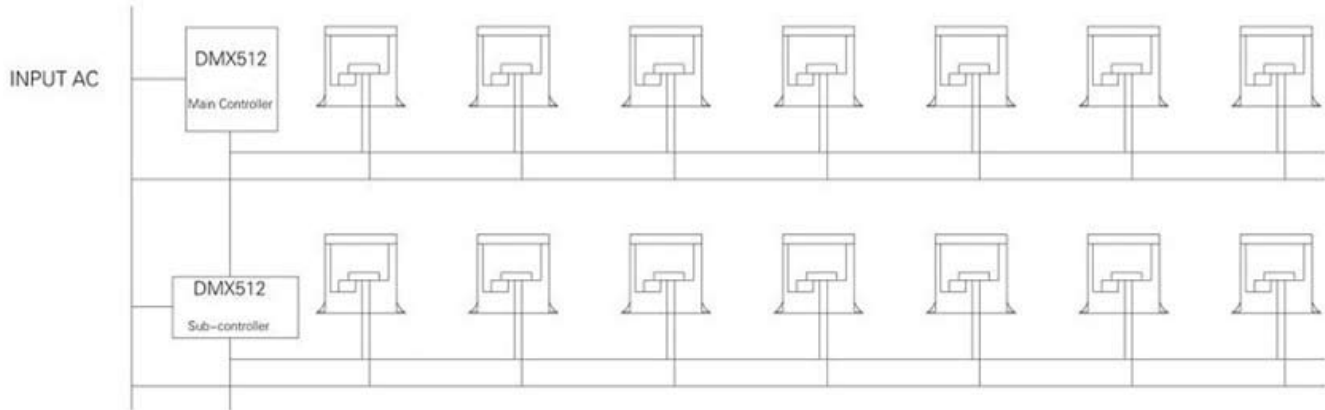
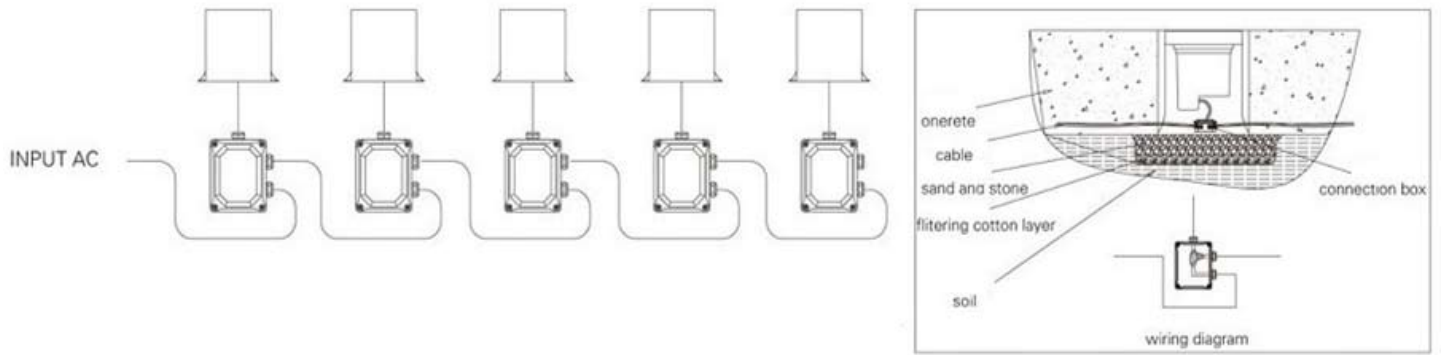
The Fountain Business Park Ellis Street Coatbridge ML5 3AA
 Phone: 07540 479985 Email: sales@edenillumination.com

The Studio 55 Castle Terrace Leven Fife KY8 5EU
 Phone: 07905 565604 Email: sales@edenillumination.com

Web: www.edenillumination.com

ELVIRA REV-A SEP-2009

EDEN
illumination



W: Recommendation Distance 1-1.5m H: Highest Illuninating 6-8m
 Z: Adjusting Lighting Angle Equipment for Reference

