



## Applications:

- Hotels,
- Shopping Malls,
- Retails,
- Hospitals,
- Residential areas



## Features

Lumen Output	750/1000/1200/1500 Lumens
Wattage	10/13/15/20 Watts
Input Power	85~265 Volts AC
Efficacy	75 lm/W
Color Temperature (CCT)	3000K to 6000K
Color Rendering Index (CRI)	75
Beam Spread	80 Degs
Rated Life	50,000 Hrs
LEDs	10W/13/15W/20W Available
Housing	Die Cast Aluminium
Mounting Options	Recessed
Dimensions	See Table Below
Power Supply	constant current external driver included
Warranty	2 Years
Environment	IP44
Approvals	CE Approved and ROHS Compliant
Plug-and-Play for easy installation	
Dimmable	

VENUS-3S

- Point-Like-Source for providing a bright light beam
- Ultra-High-Power LEDs within safety junction temperatures
- Excellent thermal management to ensure LEDs performance
- Constant current driver mode for steady power supply
- Effective heat dissipation by back-end natural convection
- Energy saving, more efficient than Incandescent and Halogen lamps
- Useful life time at over 50,000 hours
- 10W/13/15W/20W Available
- Light color - White / Warm / Green /Blue / Red / Amber
- CE compliant
- International RoHS "green product" design compliance
- Housing color: white, polished aluminum and brushed aluminum

The Fountain Business Park Ellis Street Coatbridge ML5 3AA  
 Phone: 07540 479985 Email:sales@edenillumination.com

The Studio 55 Castle Terrace Leven Fife KY8 5EU  
 Phone: 07905 565604 Email: sales@edenillumination.com

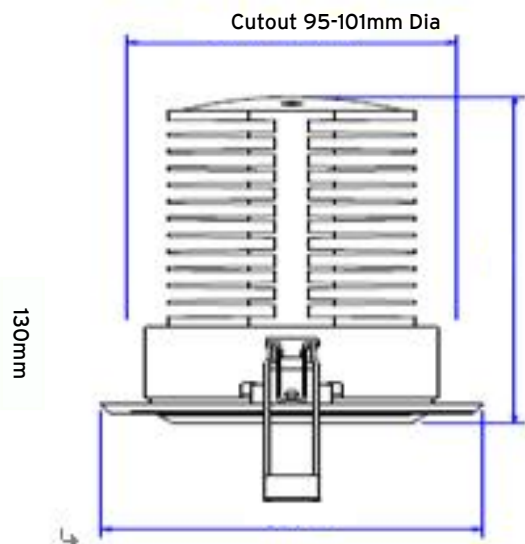
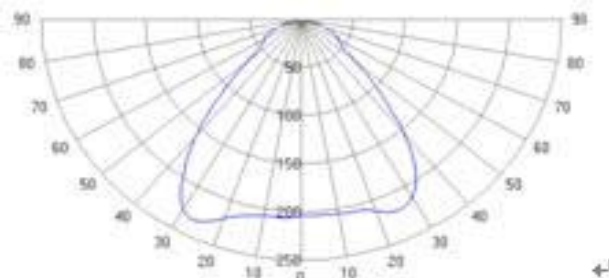
Web: [www.edenillumination.com](http://www.edenillumination.com)

# VENUS-3S

Description Code	Sizes
VENUS-3S	
ED25-VEN-3S-10W	Dia 100 x H130 cutout: 80
ED25-VEN-3S-13W	Dia 113 x H130 cutout: 90
ED25-VEN-3S-15W	Dia 113 x H130 cutout: 90
ED25-VEN-3S-20W	Dia 125 x H130 cutout: 101

## Light Distributions

Novelty series II (80°angle)



## Weights & Thermal Data

Lamp Type	Weight (kg)	Minimum Operating Temp (-20°C)	Maximum Ambient Temp (+40°C)
LED	.75kgs		

### Detailed specifications:

LED: 13W LED Module  
 Color temperature: 3000K, 4000K, 6000K  
 Luminous flux: 900~950 LM/3000K, 1000 LM/4000K, 1150 LM/6000K  
 Housing color: white, brushed aluminum, polished aluminum  
 Beam angle: by 80 degree reflector  
 Driver: external constant current driver  
 Input voltage: 85~265Vac  
 Ambient temperature: -20 degree to 40 degree

100-125mm Dia

Description Code	Lumen Output
VENUS-3S	
ED25-VEN-3S-10W	750
ED25-VEN-3S-13W	1000
ED25-VEN-3S-15W	1150
ED25-VEN-3S-20W	1600

Typical Based on Cool/White LED

### Detailed specifications:

LED: 20W LED Module  
 Color temperature: 3000K, 4000K, 6000K  
 Luminous flux: 1400~1450 LM/3000K, 1500LM/4000K, 1600LM/6000K  
 Housing color: white, brushed aluminum, polished aluminum  
 Beam angle: by 80 degree reflector  
 Driver: external constant current driver  
 Input voltage: 85~265Vac  
 Ambient temperature: -20 degree to 40 degree

## Order Details

Description Code	Wattage				LED Colour Option						Housing Finish			Dimming	
	20Watt	Non	Dimmable		WW	CW	R	G	B	A	W	BA	PA	Non	Dimm
VENUS-3S	10w	13w	15w	20w										Non	Dimm
ED25-VEN-3S															
*	*					*						*		*	

Example Order(\*) ED25-VEN-3S-10W-CW-BA-Non

White housing

Brushed Aluminum housing

Polished Aluminum housing

We reserve the right to make changes at any time in order to maintain the highest product quality.

The Fountain Business Park Ellis Street Coatbridge ML5 3AA  
 Phone: 07540 479985 Email: sales@edenillumination.com

The Studio 55 Castle Terrace Leven Fife KY8 5EU  
 Phone: 07905 565604 Email: sales@edenillumination.com

VENUS-3S REV-A SEP-2009

Web: [www.edenillumination.com](http://www.edenillumination.com)

© Copyright [www.edenillumination.com](http://www.edenillumination.com)

