



CREED-6W

## Features

Lumen Output	W/W 360lm, C/W 420lm,
Wattage	6-Watts
Input Power	DC/AC 12V, Volts
Efficacy	86.6 lm/W
Color Temperature (CCT)	2700K to 6500K
Color Rendering Index (CRI)	80
Beam Spread	30 Degs 60 Degs
Rated Life	50,000 Hrs
LEDs	3 X Cree XLAMP XR-E 7090 2 Watt
Dimensions	50mm Dia x 46mm
Power Supply	Integral
Voltage	12 Volts
Warranty	2 Years
Environment	IP44
Approval	CE Approved ROHS Compliant

## Applications:

- Retail Lighting
- Restaurants, Bars and Hotels
- Architectural Lighting
- Display Lighting

Description Code	LED Colour	
CREED 6W	Cool White	Warm White
ED35-CREED-6W	C/W	W/W
*	*	
Example(*) ED35-CREED-6W-C/W		

We reserve the right to make changes at any time in order to maintain the highest product quality.

The Fountain Business Park Ellis Street Coatbridge ML5 3AA  
 Phone: 07540 479985 Email: sales@edenillumination.com

The Studio 55 Castle Terrace Leven Fife KY8 5EU  
 Phone: 07905 565604 Email: sales@edenillumination.com

Web: [www.edenillumination.com](http://www.edenillumination.com)

CREED-6W REV-A SEP-2009

# CREED-6W

Gimbals see Accessories for Order Details



- For use with Creed LED MR16
  - Available in 9 colours
  - 30° tilt angle
- ED44-ATLW/BR = Brass



- For use with Creed LED MR16
  - Available in 9 colours
  - 30° tilt angle
- ED44-ATLW/CH = Chrome



- For use with Creed LED MR16
  - Available in 9 colours
  - 30° tilt angle
- ED44-ATLW/BC  
= Brushed Copper



- For use with Creed LED MR16
  - Available in 9 colours
  - 30° tilt angle
- ED44-ATLW/BL = Black

Also available in ED44-ATLW/BLC = Black Chrome ED44-ATLW/PN = Pearl Nickel ED44-ARLW/BB = Brushed Brass



- For use with Creed LED MR16
  - Available in 9 colours
  - 30° tilt angle
- ED44-ATLW/WH = White



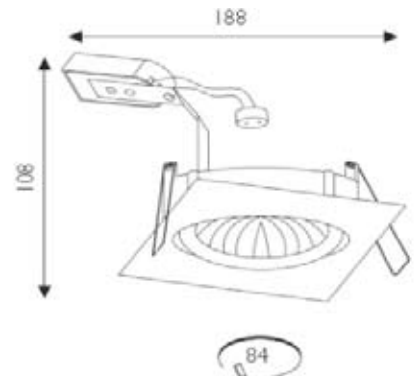
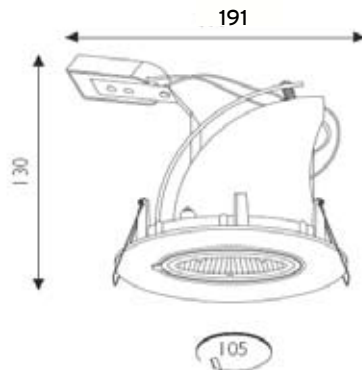
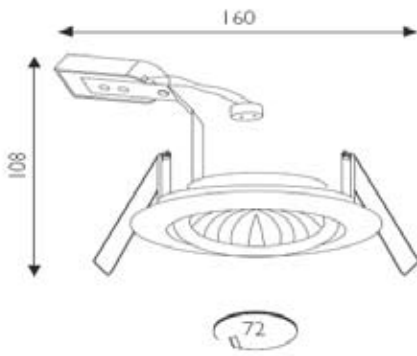
- For use with Creed LED MR16
  - Available in 9 colours
  - 30° tilt angle
- ED44-ATLW/SC = Satin Chrome



- For use with Creed LED MR16
  - Available in 4 colours
  - 30° tilt angle
- ED44-LSQG/WH = White  
ED44-LSQG/BR = Brass  
ED44-LSQG/SC = Satin Chrome  
ED44-LSQG/CH = Chrome



- For use with Creed LED MR16
  - Available in 4 colours
  - 30° tilt angle
- ED44-LVWW/WH = White  
ED44-LVWW/BR = Brass  
ED44-LVWW/SC = Satin Chrome  
ED44-LVWW/CH = Chrome



We reserve the right to make changes at any time in order to maintain the highest product quality.

The Fountain Business Park Ellis Street Coatbridge ML5 3AA  
Phone: 07540 479985 Email: sales@edenillumination.com

The Studio 55 Castle Terrace Leven Fife KY8 5EU  
Phone: 07905 565604 Email: sales@edenillumination.com

CREED-6W REV-A SEP-2009

Web: [www.edenillumination.com](http://www.edenillumination.com)

© Copyright [www.edenilluminations.com](http://www.edenilluminations.com)

