



CRUZ-6W

Features

Lumen Output	C/W 420lm, W/W 360lm,
Wattage	6-Watts
Input Power	220, Volts AC
Efficacy	86.6 lm/W
Color Temperature (CCT)	2700K to 6500K
Color Rendering Index (CRI)	80
Beam Spread	30 Degs 60 Degs
Rated Life	50,000 Hrs
LEDs	3 X Cree XLAMP XR-E 7090 2 Watt
Dimensions	50mm Dia x 46mm
Power Supply	Integral
Warranty	2 Years
Environment	IP44
Approval	CE Approved ROHS Compliant

Applications:

- Retail Lighting
- Restaurants, Bars and Hotels
- Architectural Lighting
- Display Lighting

Description Code	LED Colour	
CRUZ 6W	Cool White	Warm White
ED35-CRUZ-6W	C/W	W/W
*	*	
Example (*) ED35-CRUZ-6W-C/W		

We reserve the right to make changes at any time in order to maintain the highest product quality.

The Fountain Business Park Ellis Street Coatbridge ML5 3AA
 Phone: 07540 479985 Email: sales@edenillumination.com

The Studio 55 Castle Terrace Leven Fife KY8 5EU
 Phone: 07905 565604 Email: sales@edenillumination.com

Web: www.edenillumination.com

CRUZ-6W REV-A SEP-2009

CRUZ-6W

Gimbals see Accessories for Order Details



- For use with Cruz LED GU10
- Permanent earth on stirrup bracket for GU10 mains earthing
- Available in 9 colours
- 30° tilt angle

ED44-TLG/BR = Brass



- For use with Cruz LED GU10
- Permanent earth on stirrup bracket for GU10 mains earthing
- Available in 9 colours
- 30° tilt angle

ED44-TLG/CH = Chrome



- For use with Cruz LED GU10
- Permanent earth on stirrup bracket for GU10 mains earthing
- Available in 9 colours
- 30° tilt angle

ED44-TLG/BC = Brushed Copper



- For use with Cruz LED GU10
- Permanent earth on stirrup bracket for GU10 mains earthing
- Available in 9 colours
- 30° tilt angle

ED44-ATLG/BL = Black

Also available in ED44-TLG/BLC = Black Chrome ED44-TLG/PN = Pearl Nickel ED44-TLG/BB = Brushed Brass



- For use with Cruz LED GU10
- Permanent earth on stirrup bracket for GU10 mains earthing
- Available in 9 colours
- 30° tilt angle

ED44-TLG/WH = White



- For use with Cruz LED GU10
- Permanent earth on stirrup bracket for GU10 mains earthing
- Available in 9 colours
- 30° tilt angle

ED44-TLG/SC = Satin Chrome



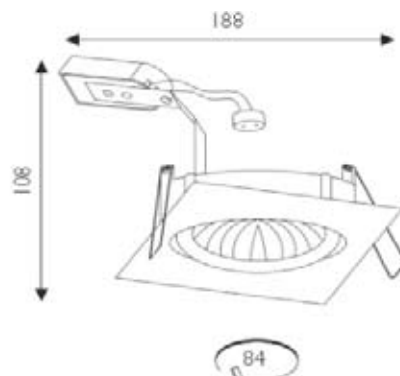
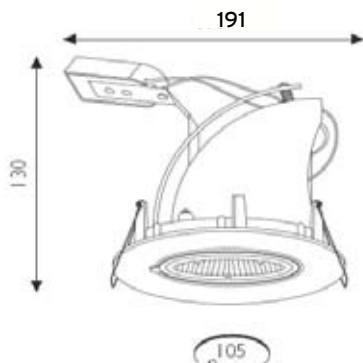
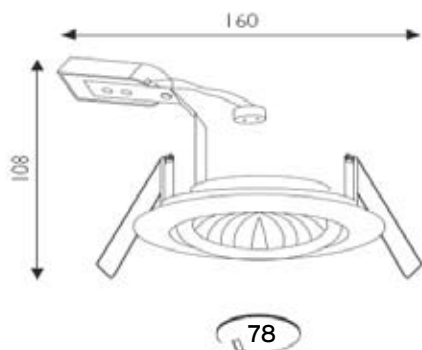
- For use with Cruz LED GU10
- Permanent earth on stirrup bracket for GU10 mains earthing
- Available in 4 colours
- 30° tilt angle

ED44-LSQG/WH = White
ED44-LSQG/BR = Brass
ED44-LSQG/SC = Satin Chrome
ED44-LSQG/CH = Chrome



- For use with Cruz LED GU10
- Permanent earth on stirrup bracket for GU10 mains earthing
- Available in 4 colours
- 30° tilt angle

ED44-LVWW/WH = White
ED44-LVWW/BR = Brass
ED44-LVWW/SC = Satin Chrome
ED44-LVWW/CH = Chrome



We reserve the right to make changes at any time in order to maintain the highest product quality.

The Fountain Business Park Ellis Street Coatbridge ML5 3AA
Phone: 07540 479985 Email: sales@edenillumination.com

The Studio 55 Castle Terrace Leven Fife KY8 5EU
Phone: 07905 565604 Email: sales@edenillumination.com

CRUZ-6W REV-A SEP-2009

Web: www.edenillumination.com

© Copyright www.edenilluminations.com