



Features

Lumen Output	2680 to 9610 Lumens
Watts	18 to 74 max for 600x1200mm
Input Power	AC 100 ~ 240V, 50/60Hz
Efficacy	90 Lumens/watt Nominal
Color Temperature (CCT)	3500k - 6500k
Color Rendering Index (CRI)	88
Rated Life	50,000 Hrs +
LEDs	High-efficiency LEDs
Housing	Aluminium
Mounting Options	Recessed-Surface-Suspended
Dimensions	300 to 600mm Wide X 300 to 1200mm Length
Power Supply	350-700mA
Running Voltage	24V
Warranty	5 Years
Certification	RoHS, EMC, CE, UL
Environment	IP54

Benefits

SUPERIOR LUMINANCE, POWER SAVING, ENVIRONMENTALLY FRIENDLY, EXCEPTIONAL LIFESPAN.

- Anti-glare LED Lighting- Back lit with LGP Technology.- 3D -V-Cut Lighting Guide Panel- No dazzle ! No UV !
- Luminance efficiency of Max 90 Lumens/watt, the industry's highest for LED Lighting
- Light output equivalent to conventional fluorescent fixtures that use twin 40-watt straight-tube fluorescent lamps.
- Power consumption is reduced by approximately 75%
- Long life span in excess of 50,000 hours
- Unlimited design and various sizes are available
- New inner high efficiency (95%) constant current driver, with heat protection system, can work under unstable voltage
- Dimmable and Emergency Versions Available
- Unlimited Design and various sizes are available

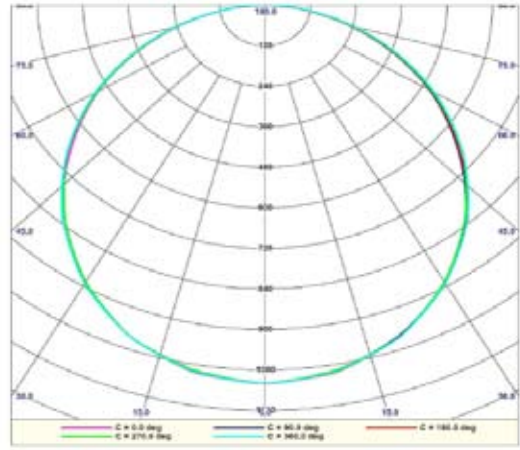
Applications

- Architectural Lighting
- Schools, Colleges & Universities
- Residential / Institution Buildings
- Hospitals
- Retail
- Offices
- Hotels, Conference / Meeting Rooms
- Commercial Complexes

DEVON



Light Distributions



Weights & Thermal Data

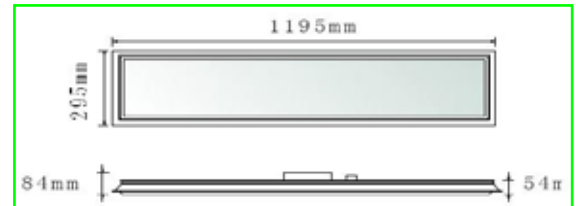
Lamp Type	Weight (kg)	Minimum Operating Temp (-30°C)	Maximum Ambient Temp (+45°C)
LED	600X600 5 Kgs		

PANEL SIZE

Model	Watts	Lumens	LED Colours
300 X 300mm	18	2680	C/W N/W W/W
300 X 1200mm	37	4805	C/W N/W W/W
600 x 600mm	37	4805	C/W N/W W/W
600 x 1200mm	74	9610	C/W N/W W/W

After a long research, eden has developed a series of LED Panel Lights. They deliver a much brighter, smoother and more gentle light, which makes them ideal for Large area lighting in the office, Classrooms, shopping malls, supermarkets, showrooms, restaurants and so on.

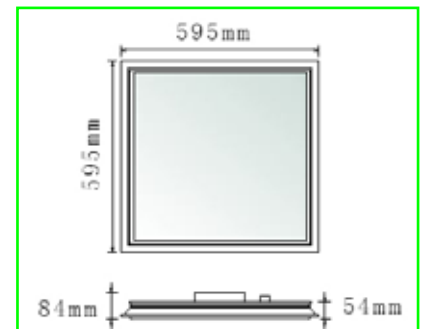
Much brighter. With much more LEDs our LED panel lights a much brighter and smoother light.



Order Details

Description Code	Options Available		Mounting Options			Panel Sizes				LED Colours Available		
	Standard	Dimmable	Embedded	Mounted	Suspended	300 x 300mm	600 x 600mm	300 x 1200mm	600 x 1200mm	Cool White	Neutral White	Warm White
DEVON												
ED42-DEV	S	D	E	M	Su	30	60	312	612	C/W	N/W	W/W
*					*			*		*		

Example Order ED42-DEV-312-C/W



We reserve the right to make changes at any time in order to maintain the highest product quality.

The Fountain Business Park Ellis Street Coatbridge ML5 3AA
Phone: 07540 479985 Email: sales@edenillumination.com

The Studio 55 Castle Terrace Leven Fife KY8 5EU
Phone: 07905 565604 Email: sales@edenillumination.com

Web: www.edenillumination.com

DEVON REV-A MAR-2010

