

## High Power LED Spot-Light



## Benefits

The Cyclops-800 is a brand-new concept in white spotlighting, designed around the high-power Bridgelux LED arrays.

A single beam of light with a specifically designed reflector optic provides up to an amazing 800 lumens of white light (cool white) and uses as little as 25% of the electrical energy as a conventional light source. This not only saves money in the long run, but also helps to cut down on carbon emissions.

The unit is IP68 rated and so is suitable for any indoor or outdoor lighting project. It is supplied with a suitable driver and is designed to be easy to install.

- Reduces energy consumption by 70% and slashes carbon footprint
- 50,000 hours use or 15 years based on a 10 hour burning day.
- 8.9w Total load.

## Features

|                             |                                   |
|-----------------------------|-----------------------------------|
| Wattage                     | 8.9 Watt                          |
| Lumen Output                | 800 Lumens @ 700mA                |
| Input Power                 | 210 Volts - 240 Volts             |
| Efficacy                    | 75 Lum/Watt                       |
| Color Temperature (CCT)     | 3100k to 6500k                    |
| Color Rendering Index (CRI) | 75                                |
| Beam Spread                 | 12-16-25 Degrees                  |
| Rated Life                  | 50,000 Hrs                        |
| LEDs                        | Brigelux array                    |
| Housing                     | Machined Aluminium                |
| Housing                     | Vandal proof toughened glass face |
| Mounting Options            | Adjustable Mounting Bracket       |
| Dimensions                  | 75mm Dia x 63mm                   |
| Power Supply                | 700mA                             |
| Warranty                    | 2 Years                           |
| Environment                 | IP68                              |

CYCLOPS-800

## Applications

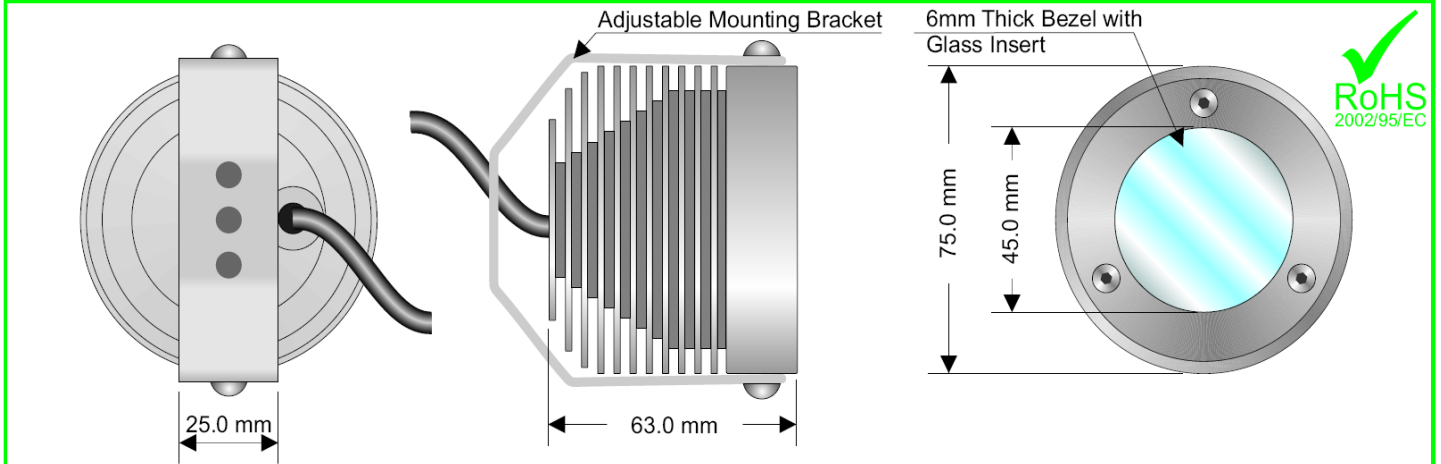
- Retail Lighting
- Restaurants, Bars and Hotels
- Architectural Lighting
- Display Lighting
- Flood Lighting

# CYCLOPS-800

## Weights & Thermal Data

| Lamp Type | Weight (kg) | Minimum Operating Temp (-10°C) | Maximum Ambient Temp (+40°C) |
|-----------|-------------|--------------------------------|------------------------------|
| LED       | 1.00kgs     |                                |                              |

## PROFILE DIMENSIONS



## Lighting Performance

| Model         | Light Source    | LED Qty | Lumen Output | Expected Lifetime |
|---------------|-----------------|---------|--------------|-------------------|
| Cool White    | Bridgelux Array | 1       | 800 @ 700mA  | 50,000hrs +       |
| Neutral White | Bridgelux Array | 1       | 640 @ 700mA  | 50,000hrs +       |
| Warm White    | Bridgelux Array | 1       | 580 @ 700mA  | 50,000hrs +       |

## Efficacy

| Model         | Drive Current | Lumen Output | Lumens Per Watt |
|---------------|---------------|--------------|-----------------|
| Cool White    | 700mA         | 800 lm       | 75 lm/W         |
| Neutral White | 700mA         | 640 lm       | 67 lm/W         |
| Warm White    | 700mA         | 580 lm       | 60 lm/W         |

## Order Details

| Description Code                             | Beam Angle<br>12 - 16 - 25 Degs |   |   | LED Colour Option |     |     |
|--|---------------------------------|---|---|-------------------|-----|-----|
|  | N                               | M | W | CW                | N/W | W/W |
| Cyclops-800                                  |                                 |   |   |                   |     |     |
| ED55-CYCLOPS-8                               | *                               |   |   | *                 |     |     |
| <b>Example Order(*) ED55-CYCLOPS-8-N-C/W</b> |                                 |   |   |                   |     |     |

We reserve the right to make changes at any time in order to maintain the highest product quality.

The Fountain Business Park Ellis Street Coatbridge ML5 3AA  
Phone: 07540 479985 Email: sales@edenillumination.com

The Studio 55 Castle Terrace Leven Fife KY8 5EU  
Phone: 07905 565604 Email: sales@edenillumination.com

Web: [www.edenillumination.com](http://www.edenillumination.com)

CYCLOPS-800 REV-A DEC-2010

© Copyright www.edenillumination.com

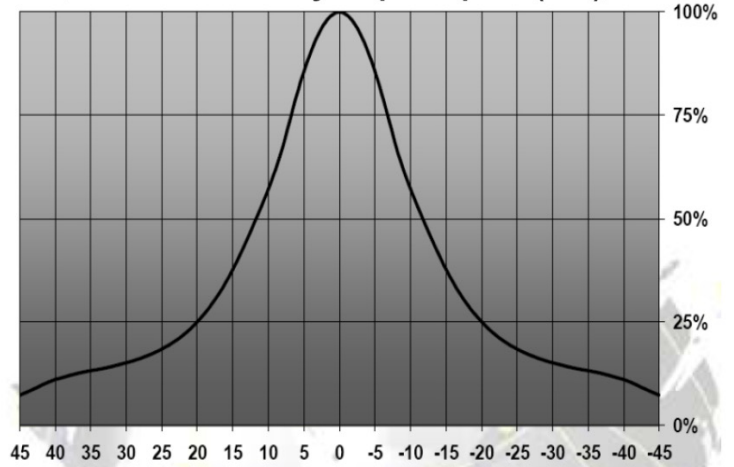
# CYCLOPS-800

## PHOTOMETRICS-RELATIVE INTENSITY

**Spread Pattern - Spot Optic (24°)**



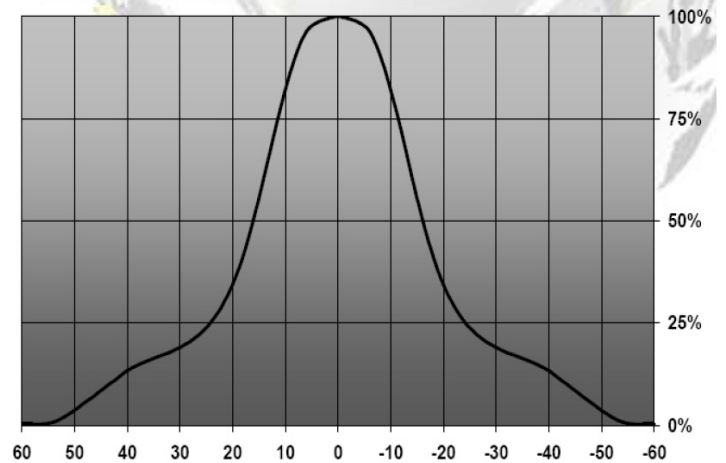
**Relative Intensity - Spot Optic (24°)**



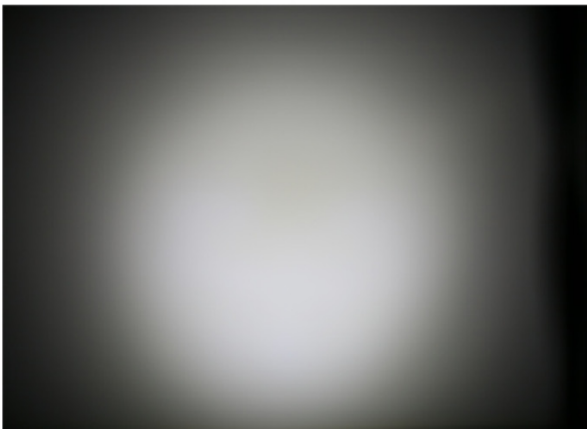
**Spread Pattern - Medium Optic (32°)**



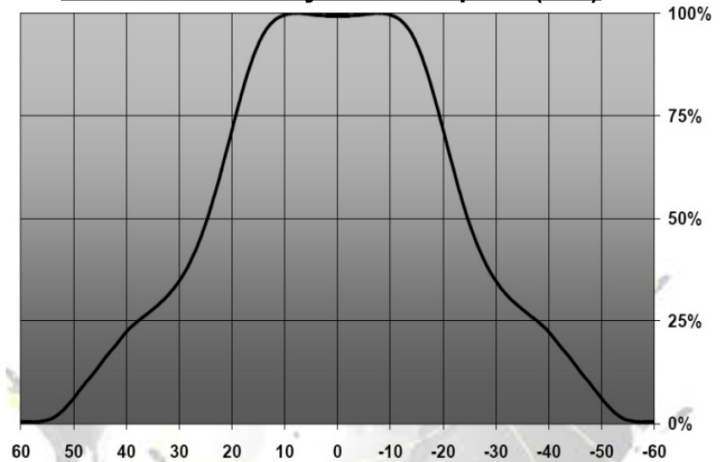
**Relative Intensity - Medium Optic (32°)**



**Spread Pattern - Wide Optic (50°)**



**Relative Intensity - Wide Optic (50°)**



We reserve the right to make changes at any time in order to maintain the highest product quality.

The Fountain Business Park Ellis Street Coatbridge ML5 3AA  
Phone: 07540 479985 Email: sales@edenillumination.com

The Studio 55 Castle Terrace Leven Fife KY8 5EU  
Phone: 07905 565604 Email: sales@edenillumination.com

Web: [www.edenillumination.com](http://www.edenillumination.com)

CYCLOPS-800 REV-A DEC-2010

© Copyright [www.edenillumination.com](http://www.edenillumination.com)