



Benefits

The LOTIS is the latest innovative design incorporating Luxeon Rebel LED Technology. Typically used for under-shelf or cabinet lighting, Available in a variety of sizes and colour combinations, the LOTIS can create any mood or effect that you desire.

An IP68 version is also available for/outdoor use. This product has on-board driver technology and be connected directly to a 12-30V DC power source, making it an ideal candidate for mobile applications.

Features

Lumen Output	100MM = 160 Lum TO 1000MM = 1600 Lum
Input Power	210 Volts - 240 Volts
Efficacy	80 Lum/Watt
Color Temperature (CCT)	3100k to 6500k
Color Rendering Index (CRI)	76
Beam Spread	60 Degs
Rated Life	50,000 Hrs
LEDs	Luxeon Rebel
Housing	Aluminium Profile
Dimensions	30mm x 10mm x Various
Power Supply	D6CV12 - D100CV12
Voltage	12 to 30 volts
Warranty	2 Years
Environment	IP54-IP68

On-board driver technology Powered by Luxeon Rebel
Weatherproof options available Wide input range
12-30V DC Integral mounting holes at each end of unit
for No. 2 Screw.

- Discreet rear mounting clips included
- Powered by Luxeon Rebel™
- Weatherproof options available
- RGB colour mixing
- Bright polished anodised finish

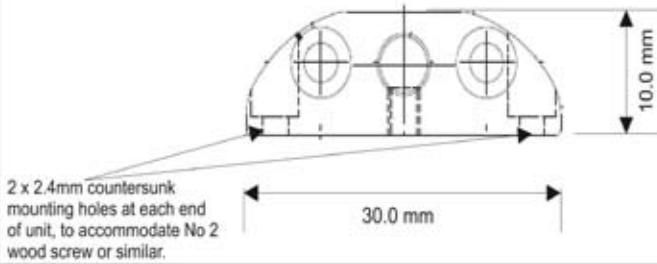
Applications

- Under-Shelf or Cabinet Lighting
- Retail Displays,
- Signage,
- Script Lighting,
- Artwork illumination,
- Refrigeration Lighting,
- Cove Lighting
- Fluorescent Replacement.

LOTIS

LOTIS

Dimensions



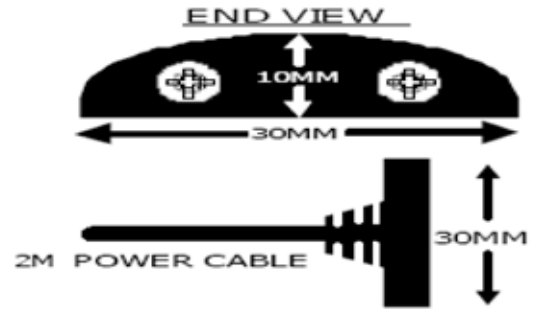
REBEL PROFILE TOP VIEW



Weights & Thermal Data

Lamp Type	Weight (kg)	Minimum Operating Temp (-20°C)	Maximum Ambient Temp (+40°C)
LED			

Available Light Output Colours



Order Details

Description Code	Colour Code							IP Rating		Transformer Model	
	Cool White	Neutral White	Red	Green	Amber	Blue	RGB	INT	EXT	Max 2 x 1000mm	Max 3 x 1000mm
LOTIS	C/W	N/W	R	G	A	B	RGB	IP54	IP68	ED55-D6CV12	ED55-100CV12
ED55-LOTIS-100										Order Separately	
ED55-LOTIS-200	*							*			
ED55-LOTIS-300											
ED55-LOTIS-400											
ED55-LOTIS-500											
ED55-LOTIS-1000											
Example Order ED55-MAX-200-C/W-IP54											

LIGHTING PERFORMANCE

LOTIS	Light Source	LED Qty	Lumen Output	Expected Lifetime
ED55-LOTIS-100	Luxeon Rebel	2	160	50,000hrs +
ED55-LOTIS-200	Luxeon Rebel	4	320	50,000hrs +
ED55-LOTIS-300	Luxeon Rebel	6	480	50,000hrs +
ED55-LOTIS-400	Luxeon Rebel	8	640	50,000hrs +
ED55-LOTIS-500	Luxeon Rebel	10	840	50,000hrs +
ED55-LOTIS-1000	Luxeon Rebel	20	1600	50,000hrs +

NB: Lumen values quoted on Cool White (6500°K)

We reserve the right to make changes at any time in order to maintain the highest product quality.

The Fountain Business Park Ellis Street Coatbridge ML5 3AA
Phone: 07540 479985 Email: sales@edenillumination.com

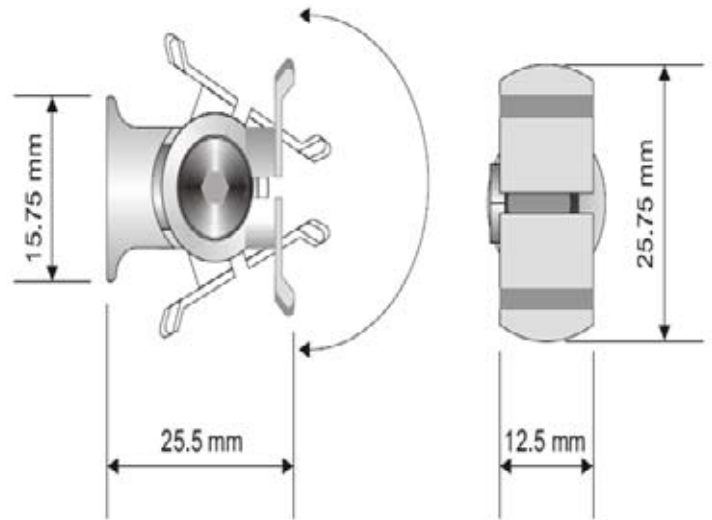
The Studio 55 Castle Terrace Leven Fife KY8 5EU
Phone: 07905 565604 Email: sales@edenillumination.com

Web: www.edenillumination.com

LOTIS-REV-A SEP-2009



LOTIS-Profile Adjustable Bracket



Features

Especially Designed for the LOTIS Profile

Unique Screw and Fix Mounting

Full 180 Deg Movement

Innovative Tightening Method

Easy to Install

Description

The mini-profile bracket is designed specifically for the Lotis mini profile LED and similar strips and is extremely easy to fit

One or two Mini-profile brackets (depending on the product) are required to mount the LED strip in any situation where adjustable lighting angles are required.

The mini-profile bracket is a two part mounting system allowing the brackets to be aligned accurately on the required surface without having to hold the LED strip in place. The system is very simple to use and can be fitted in minutes.

Once fitted, the Mini-Profile mounting system can be adjusted and locked to any angle (180 degs of movement) using the integral M5 hexagon screw.

Compatible Products

LOTIS MINI-PROFILE
LOTIS MINI-PROFILE RGB
LOTIS AQUA LED
LOTIS AQUA LED RGB



The Fountain Business Park Ellis Street Coatbridge ML5 3AA
Phone: 07540 479985 Email: sales@edenillumination.com

The Studio 55 Castle Terrace Leven Fife KY8 5EU
Phone: 07905 565604 Email: sales@edenillumination.com

Web: www.edenillumination.com

AD-BRKT-REV-A SEP-2009