

Features

- Leading and Trailing Edge dimmer compatible
- Selectable currents between 350mA and 700mA
- Compact design housing for easy installation
- Threefold PSU protection
- CE 61347-2-13 & 62384:2006 approved

Description

The new MultiDIM™ range offers the latest phase control (leading and trailing edge) mains dimmable LED drivers in various wattage outputs between 3W and 38W. The MultiDIM™ LED driver operates a single channel supplying a user-selectable forward current between 350mA and 700mA.

With different available driver DC voltage configurations, the MultiDIM™ range enables each channel to contain a specific number of LEDs for maximum efficiency. The MultiDIM™ offers threefold protection: Short circuit, over-voltage and open circuit.

The MultiDIM™ is ideal for all types of LED lighting products that need to operate with conventional mains dimming circuits, including applications such as dichroic or halogen LED replacements and LED downlighters.

Mechanical

Dimensions:	151mm x 50.5mm x 31mm
Weight:	180 grams
Mounting:	Two 5mm fixing holes
Construction:	ABS Housing

MultiDIM™ LED Drivers

Mains Dimmable LED Drivers

Input Data

Input Voltage:	220V-240V AC
Input Frequency:	50Hz / 60Hz
Consumption:	4W - 13W / 6-24W / 12-45W
Power Factor:	>0.9 @ Full load
Efficiency:	82-87% max at full load
Connection:	Mains AC loop-in loop-out, 5-pin terminal block
Insulation Class:	1
Stand-by Power:	<1W
Current Regulation:	<5% current tolerance <10% on all outputs

Control Input

Dimming control:	Auto detection of either Trailing or Leading Edge Dimmer
Dimming Range:	<10% to 100% of output current
Approved Dimmers:	Rako, Niko, Helvar and Jung (Trailing edge)
Important Note:	Make sure that the output load meets the minimum load recommended for the dimmer.

Output Options

Model Number	Output Current	Number of LEDs
D11350-500-700-3-5(Dim)	350mA/500mA/700mA	3 to 5
D20350-500-700-5-9(Dim)	350mA/500mA/700mA	5 to 9
D38350-500-700-10-17(Dim)	350mA/500mA/700mA	10 to 17

Environmental

Operating Ambient Temperature:	-20°C to + 50°C
Storage Ambient Temperature:	-10°C to + 70°C
Relative Humidity:	80% MAX
Lifetime (failures after 50,000 hours):	5%
Max. Case Temperature	+80°C

Protection

Over Load Protection
Short Circuit Protection
Open Circuit Protection

Standards

EN 61347-2-13
EN55015:2006
EN 61000-3-2
EN 61547
EN 61047
EN 62384:2006

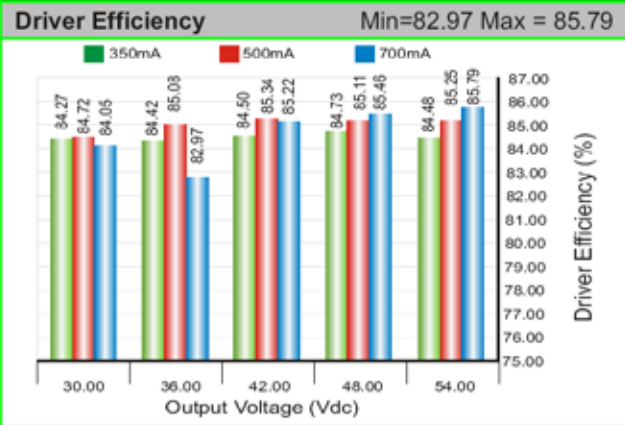
Approval

CE, EMC, FCC Class B

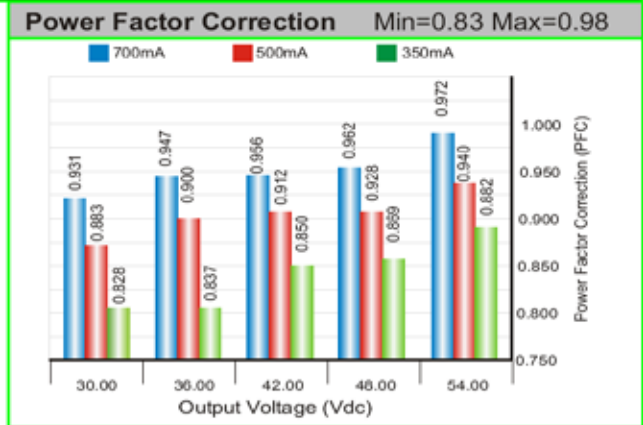


MultiDIM

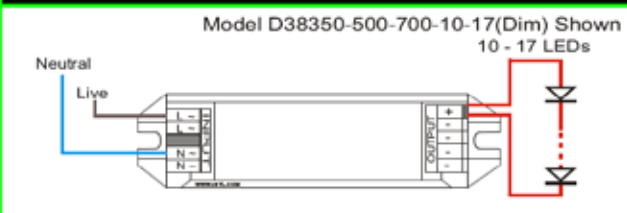
Typical MultiDIM™ Performance



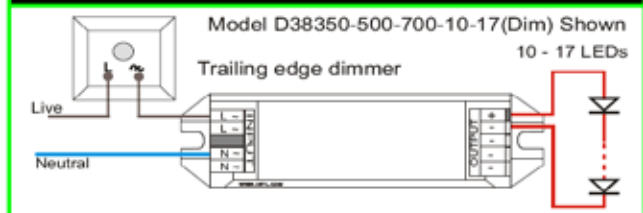
Results for model: D38350-500-700-10-17 (DIM)



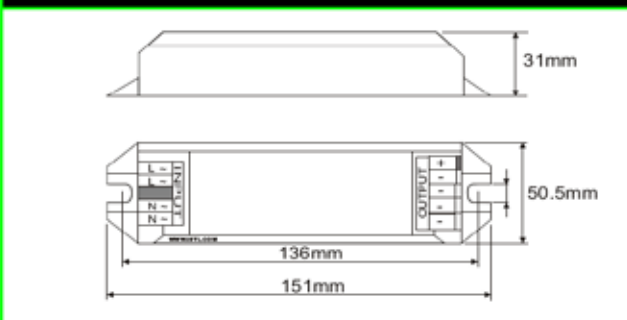
Wiring Diagram without Dimmer Switch for MultiDIM



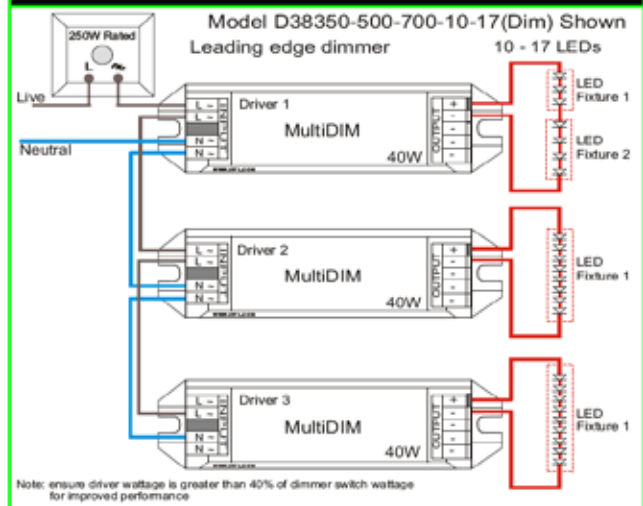
Wiring Diagram with Dimmer Switch for MultiDIM



Dimensions



Wiring Diagram with Dimmer Switch for Multiple Drivers



Leading Edge Dimming



Trailing Edge Dimming



Applications

Indoor, Outdoor, Spot, Decorative and downlight applications:

- | | | | |
|---------|-------------|---------|---------------|
| Dining | Shops | Office | Architectural |
| Reading | Restaurants | Kitchen | Bathroom |
| Living | Museum | | |



Patented: USA 6 963 175, GB 2 369 730, AUS 2002321596, GB 2 408 315, GB 2 340 215, US 6 422 718

Order Details

Description Code
MultiDIM
ED55-D11
ED55-D20
ED55-D38
Example Order(*) ED55-D11

The Fountain Business Park Ellis Street Coatbridge ML5 3AA
Phone: 07540 479985 Email: sales@edenillumination.com

The Studio 55 Castle Terrace Leven Fife KY8 5EU
Phone: 07905 565604 Email: sales@edenillumination.com

Web: www.edenillumination.com

