



SABER RGB

Benefits

- Vandal-resistant PC fronts
- Powered by Seoul Semi P5
- Weatherproof to IP67
- RGB colour mixing technology.
- Tough & Durable machined aluminium housing.

Applications

- Retail Lighting
- Restaurants, Bars and Hotels
- Architectural Lighting
- Display Lighting

Features

Lumen Output	N/A
Wattage	1.2Watts per channel
Input Power	240 Volts
Efficacy	72.5 Lum/Watt
Color Temperature (CCT)	3100k - 6500k
Color Rendering Index (CRI)	85
Beam Spread	N-M-W
Rated Life	50,000 Hrs
LEDs	Seoul Semi P5
Housing	Machined Aluminium
Mounting Options	Surface
Dimensions	152Dia x 73Dia
Power Supply	DMX 350mA
Voltage	12-30 Volts
Warranty	2 Years
Environment	IP67

The Fountain Business Park Ellis Street Coatbridge ML5 3AA
Phone: 07540 479985 Email: sales@edenillumination.com

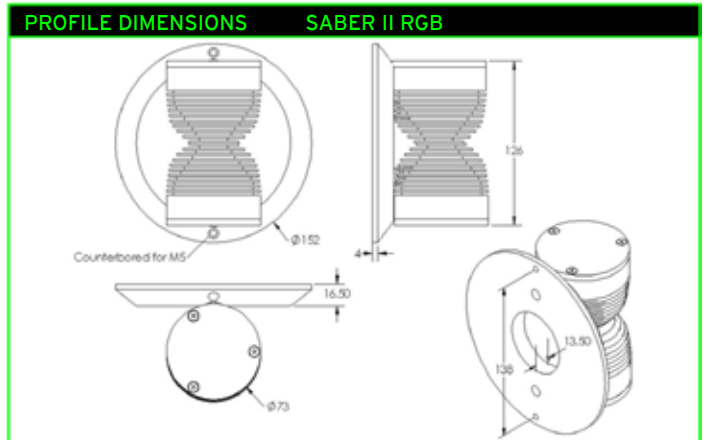
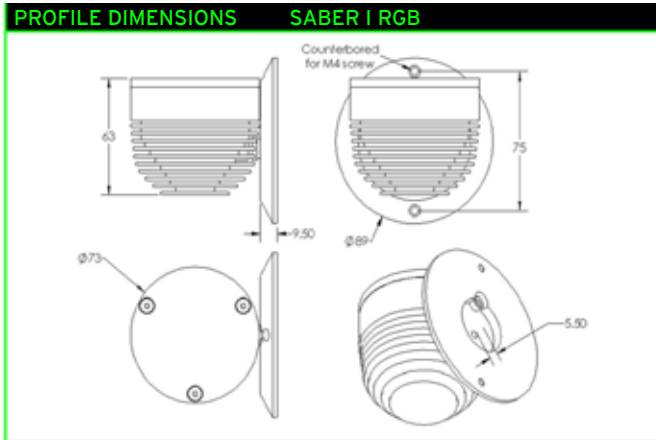
The Studio 55 Castle Terrace Leven Fife KY8 5EU
Phone: 07905 565604 Email: sales@edenillumination.com

Web: www.edenillumination.com

SABER RGB

Weights & Thermal Data

Lamp Type	Weight (kg)	Minimum Operating Temp (-10°C)	Maximum Ambient Temp (+40°C)
LED	1.2Kg		



Recommended Drivers

Model

ED55-DMX350mA-36

Description

SABER 1 RGB can be mounted as an up or down light. It is a high-powered wall mounting miniature flood light, using the latest RGB-LED and optic technology incorporating 3 high power Seoul Semiconductor P5 LEDs, the RGB colour mixing is at source (3 LED dies on one LED so essentially there are 9 LEDs) and therefore minimises fringing and separation of colours. As a result the colour mixing of the SABER 1 RGB is outstanding. The unit offers excellent light output for various applications including wall lighting mood and effect lighting, architectural lighting or bar and club venues. The unit is available in a variety of single LED colours and can be mounted to any surface. The unit is IP67 rated for outdoor use.

Recommended Drivers

Model

ED55-DMX350mA-36

Description

SABER II RGB can be mounted as an up or down light. It is a high-powered wall mounting miniature flood light, using the latest RGB-LED and optic technology incorporating 6 high power Seoul Semiconductor P5 LEDs, the RGB colour mixing is at source (3 LED dies on one LED so essentially there are 18 LEDs) and therefore minimises fringing and separation of colours. As a result the colour mixing of the SABER II RGB is outstanding. The unit offers excellent light output for various applications including wall lighting mood and effect lighting, architectural lighting or bar and club venues. The unit is available in a variety of single LED colours and can be mounted to any surface. The unit is IP67 rated for outdoor use.

Order Details

Description Code	Lense Deg			Colour Option
	6	15	25	
SABER RGB	N	M	W	RGB
ED55-SABER 1 RGB				
ED55-SABER II RGB				
*		*		*
Example Order(*) ED55-SABER-1RGB-M				



We reserve the right to make changes at any time in order to maintain the highest product quality.

The Fountain Business Park Ellis Street Coatbridge ML5 3AA
Phone: 07540 479985 Email: sales@edenillumination.com

The Studio 55 Castle Terrace Leven Fife KY8 5EU
Phone: 07905 565604 Email: sales@edenillumination.com

Web: www.edenillumination.com

SABER-1-2 REV-A SEP-2009

EDEN
illumination