



SABER SC

## Benefits

- Vandal-resistant PC fronts
- Powered by Seoul Semi P4
- Weatherproof to IP67
- 700mA MAX Drive current
- Tough & Durable machined aluminium housing.

## Applications

- Retail Lighting
- Restaurants, Bars and Hotels
- Architectural Lighting
- Display Lighting

## Features

Lumen Output	480 - 960
Wattage	1.2Watts per channel
Input Power	240 Volts
Efficacy	160 Lum/Watt
Color Temperature (CCT)	3100k - 6500k
Color Rendering Index (CRI)	85
Beam Spread	N-M-W
Rated Life	50,000 Hrs
LEDs	Seoul Semi P4
Housing	Machined Aluminium
Mounting Options	Surface
Dimensions	152Dia x 73Dia
Power Supply	350mA 700mA
Voltage	12-30 Volts
Warranty	2 Years
Environment	IP67

The Fountain Business Park Ellis Street Coatbridge ML5 3AA  
Phone: 07540 479985 Email: sales@edenillumination.com

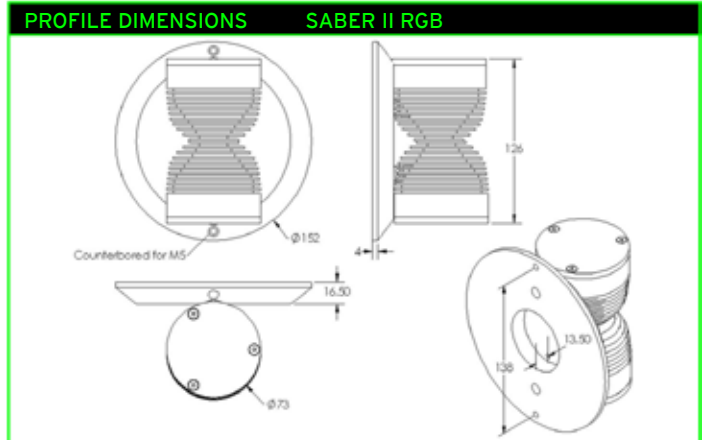
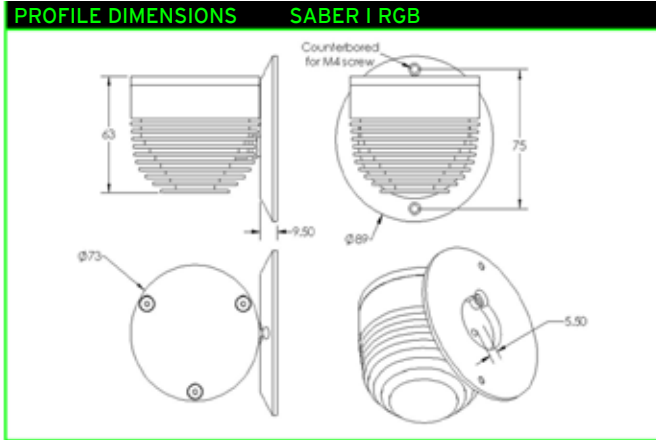
The Studio 55 Castle Terrace Leven Fife KY8 5EU  
Phone: 07905 565604 Email: sales@edenillumination.com

Web: [www.edenillumination.com](http://www.edenillumination.com)

# SABER SC

## Weights & Thermal Data

Lamp Type	Weight (kg)	Minimum Operating Temp (-10°C)	Maximum Ambient Temp (+40°C)
LED	1.2Kg		



Recomended Drivers	
Model	
ED55-D10CC350-1-7IP67	
ED55-D10CC700-1-4	

Recomended Drivers	
Model	
ED55-D10CC350-1-7IP67	
ED55-D10CC700-1-4	

### Description

SABER 1 can be mounted as an up or down light. It is a high-powered wall mounting miniature flood light, using the latest RGB-LED and optic technology incorporating 3 high power Seoul Semiconductor P4 LEDs. The unit offers excellent light output for various applications including wall lighting mood and effect lighting, architectural lighting or bar and club venues. The unit is available in a variety of single LED colours and can be mounted to any surface. The unit is IP67 rated for outdoor use.

### Description

SABER II can be mounted as an up or down light. It is a high-powered wall mounting miniature flood light, using the latest LED and optic technology incorporating 6 high power Seoul Semiconductor P4 LEDs. The unit offers excellent light output for various applications including wall lighting mood and effect lighting, architectural lighting or bar and club venues. The unit is available in a variety of single LED colours and can be mounted to any surface. The unit is IP67 rated for outdoor use.

## Order Details

Description Code	Lense Deg 6-15-25			Colour Option						
	N	M	W	C/W	N/W	W/W	R	G	B	A
SABER SC										
ED55-SABER 1										
ED55-SABER II										
*		*		*						

**Example Order(\*) ED55-SABER-1-M-C/W**



We reserve the right to make changes at any time in order to maintain the highest product quality.

The Fountain Business Park Ellis Street Coatbridge ML5 3AA  
Phone: 07540 479985 Email: sales@edenillumination.com

The Studio 55 Castle Terrace Leven Fife KY8 5EU  
Phone: 07905 565604 Email: sales@edenillumination.com

Web: [www.edenillumination.com](http://www.edenillumination.com)

SABER-1-2 REV-A SEP-2009

