

SIRONA-RGB

 Led Lighting Solutions Provider

 **EDEN**
illumination

High Power LED Floodlight



Benefits

The SIRONA RGB is an awesomely high powered RGB LED Spotlight for its size. Using 6 high power Seoul Semiconductor P5 LEDs.

Because each LED houses 3 dies (Red, Green, Blue) this is the equivalent of 18 LEDs in the Serona-RGB.

This triple-die LED minimises fringing and separation of colours giving the Serona-RGB outstanding colour mixing.

The fully adjustable and lockable bracket ensures easy mounting on most surfaces

This unit is IP68 rated and is at home in any type of venue indoor or outdoor (ground spike also available).

- Reduces energy consumption by 70% and slashes carbon footprint
- 50,000 hours use or 15 years based on a 10 hour burning day.
- 14.4w Total load.
- Colour temp 5600 to 6500 kelvin, making it ideal for security cameras.

Features

Wattage	9.6 Watt PER Channel
Lumen Output	468 Lumens @ 350mA
Input Power	210 Volts - 240 Volts
Efficacy	144 Lum/Watt
Color Temperature (CCT)	3100k to 6500k
Color Rendering Index (CRI)	75
Beam Spread	6-15-25-40 Degrees
Rated Life	50,000 Hrs
LEDs	SEOUL P5
Housing	Aluminium
Mounting Options	Aluminium Adjustable Bracket
An optional ground spike is available for installations in soft ground.	
Dimensions	100mm Dia x 62mm
Power Supply	DMX 350mA
Voltage	12 Volt
Warranty	2 Years
Environment	IP68

Applications

- Retail Lighting
- Restaurants, Bars and Hotels
- Architectural Lighting
- Display Lighting
- Flood Lighting

- Vandal-proof polycarbonate face
- Powered by Seoul Semi P5
- Weatherproof to IP68
- RGB colour mixing at source
- Tough and durable machined aluminium housing
- Integral adjustable bracket

SIRONA

The Fountain Business Park Ellis Street Coatbridge ML5 3AA
Phone: 07540 479985 Email: sales@edenillumination.com

The Studio 55 Castle Terrace Leven Fife KY8 5EU
Phone: 07905 565604 Email: sales@edenillumination.com

Web: www.edenillumination.com

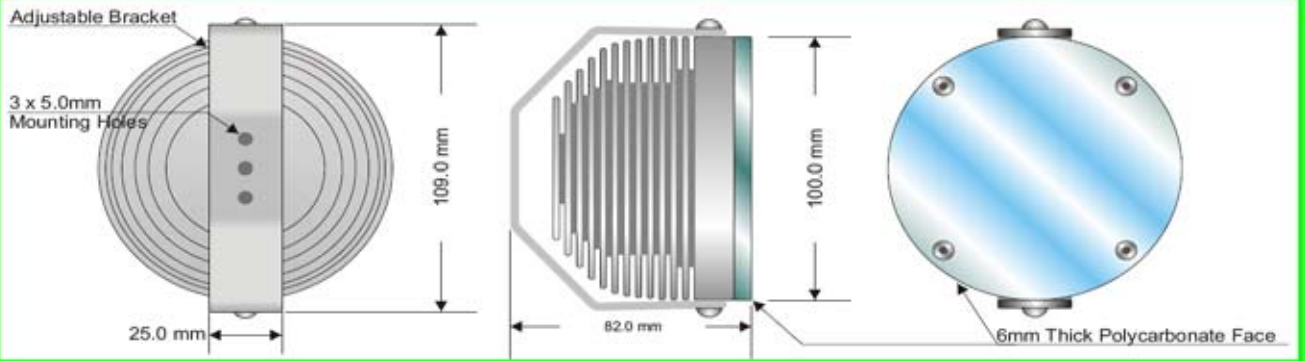
 **EDEN**
illumination

SIRONA-RGB

Weights & Thermal Data

Lamp Type	Weight (kg)	Minimum Operating Temp (-20°C)	Maximum Ambient Temp (+40°C)
LED	1.05kgs		

Dimensions



SECURITY GUARDS AVAILABLE

Guard specification : 1" x 1" Mesh x 2.5mm Dia

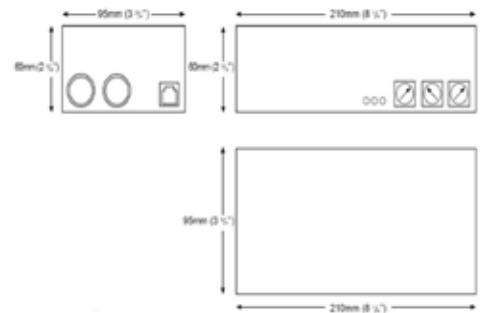


The GROUND SPIKE has been designed as an additional feature for the SERONA, RANGE and is typically used for soft ground fixing in outdoor applications.

It simply fits directly onto the Bracket of any of the light fittings using a stainless steel M4 HEX SCREW (supplied) at the top of the Spike. Once this simple assembly is complete the Spike, plus the fitting, can be inserted in to the ground application.

The bracket system on the fitting can then be manipulated to alter The direction of the light to suit the application

Mounting Type	Finish	Ingress Protection
Aluminium Rotating Bracket	Matt Silver Anodising	P68 at 1 Bar
Spike	Matt Silver Anodising	Length



Model

ED55-DMX 350mA-36



Order Details

Description Code	Beam Angle 6 - 15-25-40 Degs				LED Colour Option
	N	M	W	EW	
SIRONA	N	M	W	EW	RGB 3 IN 1
ED55-SIRONA-RGB	*				*

Example Order(*) ED55-SIRONA-N-RGB

We reserve the right to make changes at any time in order to maintain the highest product quality.

The Fountain Business Park Ellis Street Coatbridge ML5 3AA
Phone: 07540 479985 Email: sales@edenillumination.com

The Studio 55 Castle Terrace Leven Fife KY8 5EU
Phone: 07905 565604 Email: sales@edenillumination.com

Web: www.edenillumination.com

SIRONA REV-A SEP-2009

