



## Benefits

The TORNIO is an awesomely high powered single colour LED flood light for its size. Using 12 high power Luxeon Rebel LEDs. This unit is IP68 rated and is at home in any type of venue indoor or outdoor (ground spike also available).

- Reduces energy consumption by 70% and slashes carbon footprint
- 50,000 hours use or 15 years based on a 10 hour burning day.
- 30w Total load.
- Colour temp 5600 to 6500 kelvin, making it ideal for security cameras.

## Features

Wattage	30 Watt
Lumen Output	1582 Lumens @ 700mA
Input Power	210 Volts - 240 Volts
Efficacy	131 Lum/Watt
Color Temperature (CCT)	3100k to 6500k
Color Rendering Index (CRI)	75
Beam Spread	6-15-25-40 Degrees
Rated Life	50,000 Hrs
LEDs	Luxeon Rebel
Housing	Aluminium
Mounting Options	Aluminium Rotating Bracket
An optional ground spike is available for installations in soft ground.	
Dimensions	150mm Dia x 62mm
Power Supply	700mA
Voltage	12 Volt
Warranty	2 Years
Environment	IP68

## Applications

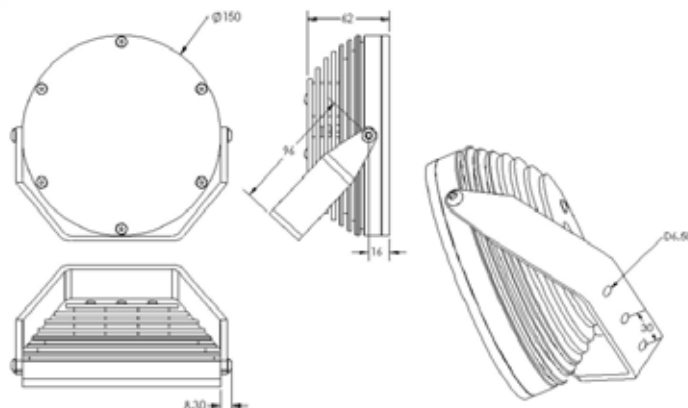
- Retail Lighting
- Restaurants, Bars and Hotels
- Architectural Lighting
- Display Lighting
- Flood Lighting

# TORNIO

## Weights & Thermal Data

Lamp Type	Weight (kg)	Minimum Operating Temp (-20°C)	Maximum Ambient Temp (+40°C)
LED	1.85kGS		

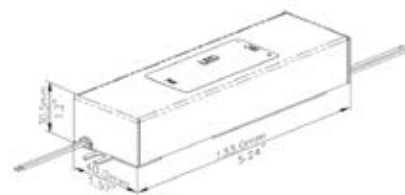
## Dimensions



The GROUND SPIKE has been designed as an additional feature for the TORNIO, RANGE and is typically used for soft ground fixing in outdoor applications.

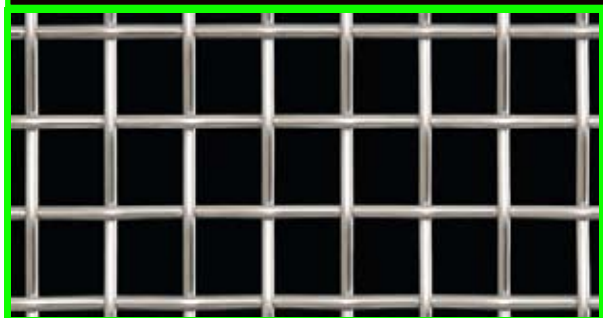
It simply fits directly onto the Bracket of any of the light fittings using a stainless steel M4 HEX SCREW (supplied) at the top of the Spike. Once this simple assembly is complete the Spike, plus the fitting, can be inserted in to the ground application.

The bracket system on the fitting can then be manipulated to alter the direction of the light to suit the application



## SECURITY GUARDS AVAILBLE

Guard specification : 1" x 1" Mesh x 2.5mm Dia



Mounting Type	Finish	Ingress Protection
Aluminium Rotating Bracket	Matt Silver Anodising	P68 at 1 Bar
Spike	Matt Silver Anodising	Length
Recomended Drivers	ED55-36-700-IP67	ED55-CC350-IP67
	700mA	350mA

## Order Details

Description Code	Beam Angle 6 - 15-25-40 Degs				LED Colour Option								RGB	
	N	M	W	EW	R	Y	G	B	CW	NW	WW	RGB		
TORNIO														ED55-DMX
ED55-TORNIO	*				*									
<b>Example Order(*) ED55-TORNIO-N-R</b>														

We reserve the right to make changes at any time in order to maintain the highest product quality.

The Fountain Business Park Ellis Street Coatbridge ML5 3AA  
Phone: 07540 479985 Email: sales@edenillumination.com

The Studio 55 Castle Terrace Leven Fife KY8 5EU  
Phone: 07905 565604 Email: sales@edenillumination.com

Web: [www.edenillumination.com](http://www.edenillumination.com)

TORNIO REV-A SEP-2009