

TORNIO RGB

 Led Lighting Solutions Provider

 **EDEN**
illumination

High Power LED Floodlight



Benefits

The TORNIO is an awesomely high powered led Floodlight

Using the latest RGB-LED and optic technology incorporating 12 high power Seoul Semiconductor P5 LEDs, the RGB colour mixing is at source (3 LED dies on one LED so essentially there are 36 LEDs) and therefore minimises fringing and separation of colours.

As a result the colour mixing of the Tornio RGB is outstanding.

The unit offers excellent light output for various applications including wall lighting mood and effect lighting, architectural lighting or bar and club venues. The unit is also available in a variety of single LED colours and can be mounted to any surface. The unit is IP68 rated and is at home for any type of Venue either indoor or outdoor.

- Reduces energy consumption by 70% and slashes carbon footprint
- 50,000 hours use or 15 years based on a 10 hour burning day.
- 14.4 Watts per channel Total load.

Features

Wattage	14.4 Watts per channel
Lumen Output	936 Typical
Input Power	210 Volts - 240 Volts
Efficacy	68 Lum/Watt
Color Temperature (CCT)	3100k to 6500k
Color Rendering Index (CRI)	75
Beam Spread	6-15-25-40 Degrees
Rated Life	50,000 Hrs
LEDs	Seoul P5
Housing	Machined Aluminium Vandal proof front
Mounting Options	Aluminium Bracket
An optional ground spike is available for installations in soft ground.	
Dimensions	150mm Dia x 62mm
Power Supply	350mA
Working Voltage	12 Volt
Warranty	2 Years
Environment	IP68

TORNIO RGB

Applications

- Retail Lighting
- Restaurants, Bars and Hotels
- Architectural Lighting
- Display Lighting
- Flood Lighting

The Fountain Business Park Ellis Street Coatbridge ML5 3AA
Phone: 07540 479985 Email: sales@edenillumination.com

The Studio 55 Castle Terrace Leven Fife KY8 5EU
Phone: 07905 565604 Email: sales@edenillumination.com

Web: www.edenillumination.com

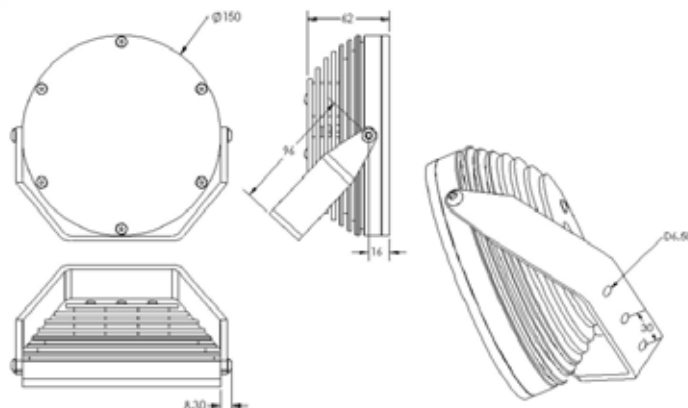
 **EDEN**
illumination

TORNIO RGB

Weights & Thermal Data

Lamp Type	Weight (kg)	Minimum Operating Temp (-10°C)	Maximum Ambient Temp (+40°C)
LED	1.85kGS		

Dimensions



The GROUND SPIKE has been designed as an additional feature for the TORNIO, RANGE and is typically used for soft ground fixing in outdoor applications.

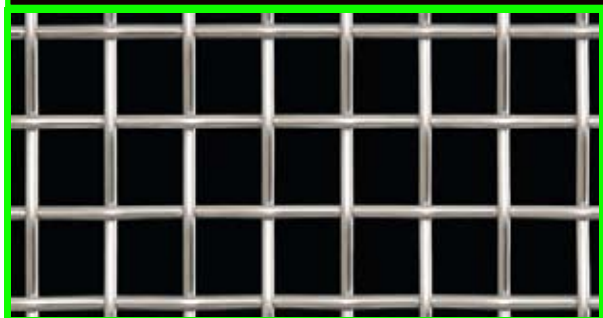
It simply fits directly onto the Bracket of any of the light fittings using a stainless steel M4 HEX SCREW (supplied) at the top of the Spike. Once this simple assembly is complete the Spike, plus the fitting, can be inserted in to the ground application.

The bracket system on the fitting can then be manipulated to alter the direction of the light to suit the application



SECURITY GUARDS AVAILABLE

Guard specification : 1" x 1" Mesh x 2.5mm Dia



Mounting Type	Finish	Ingress Protection
Aluminium Rotating Bracket	Matt Silver Anodising	P68 at 1 Bar
Spike	Matt Silver Anodising	Length
Recommended Drivers	ED55-DMX350mA-36	
	350mA	



Inground base also available on request

Order Details

Description Code	Beam Angle 6 - 15-25-40 Degs				LED 3 IN 1
TORNIO RGB	N	M	W	EW	RGB
ED55-TORNIO-RGB	*				*
Example Order(*) ED55-TORNIO-RGB-N					

We reserve the right to make changes at any time in order to maintain the highest product quality.

The Fountain Business Park Ellis Street Coatbridge ML5 3AA
Phone: 07540 479985 Email: sales@edenillumination.com

The Studio 55 Castle Terrace Leven Fife KY8 5EU
Phone: 07905 565604 Email: sales@edenillumination.com

Web: www.edenillumination.com

EDEN
illumination