

Recessed Inground & Underwater Light



9 * 3 Watt LED 3 IN 1 RGB
9 * 3 Watt Single Colour



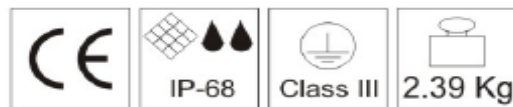
**RoHS
Compliant**

Applications:

- Pool Lighting
- Fountain Lighting
- Exterior Inground Lighting
- The LED underwater lamp is widely used in swimming pool, fountain, rearing pond, waterland, artificial waterfall

Features

Lumen Output	700/1000
Wattage	12.7/21.5-Watts
Input Power	100 to 240 Volts
Efficacy	68 lm/W
Color Temperature (CCT)	3500K to 6500K
Color Rendering Index (CRI)	75
Beam Spread	15 Degs 25 Degs 45 Degs
Rated Life	50,000 Hrs
LEDs	9 or 7 X Cree High power
Housing	Die Cast Aluminium Toughened Glass
Mounting Options	Inground
Dimensions	408mm x 454mm x 100mm
Power Supply	350mA Constant Current Driver
Voltage	24 Volts
Warranty	2 Years
Environment	IP68
Approvals	CE Approved and ROHS Compliant



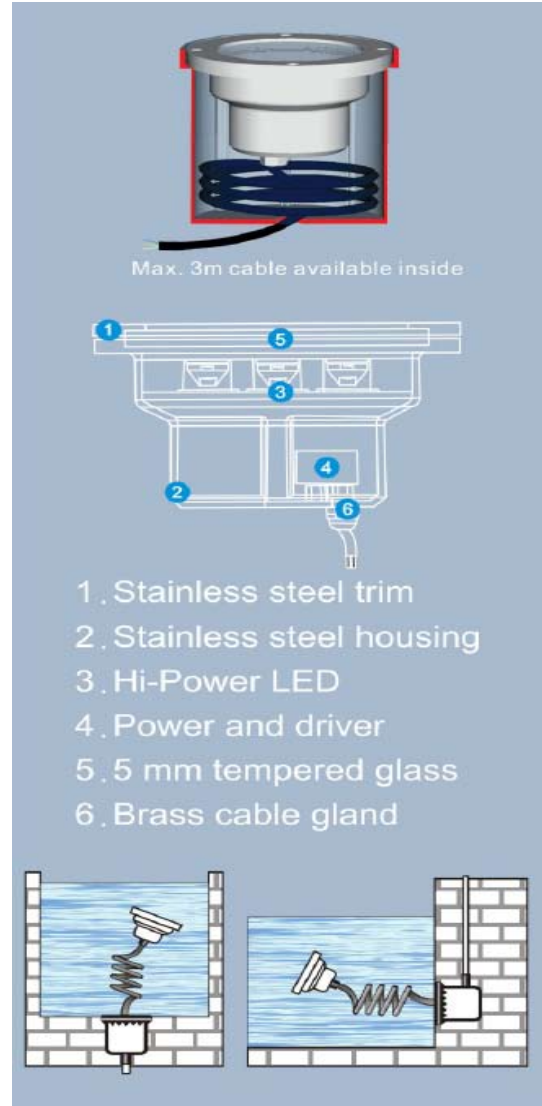
7 * 3 Watt LED 3 IN 1 RGB
7 * 3 Watt Single Colour

LUPUS

LUPUS

Weights & Thermal Data

Lamp Type	Weight (kg)	Minimum Operating Temp (-25°C)	Maximum Ambient Temp (50°C)
Led	2.33		



Description Code	MODEL		Beam Angle Deg		LED Colour Option							
	7 LED	9 LED	25	45	Red	Green	Blue	Amber	White	Warm White	RGB	RGB 3 IN 1
LUPUS	7W	9W	M	W								
ED60-LUP-			*		*							

Example Order(*) ED60-LUP-7W-M-R



We reserve the right to make changes at any time in order to maintain the highest product quality.

The Fountain Business Park Ellis Street Coatbridge ML5 3AA
 Phone: 07540 479985 Email: sales@edenillumination.com

The Studio 55 Castle Terrace Leven Fife KY8 5EU
 Phone: 07905 565604 Email: sales@edenillumination.com

Web: www.edenillumination.com

LUPUS REV-A SEP-2009

