

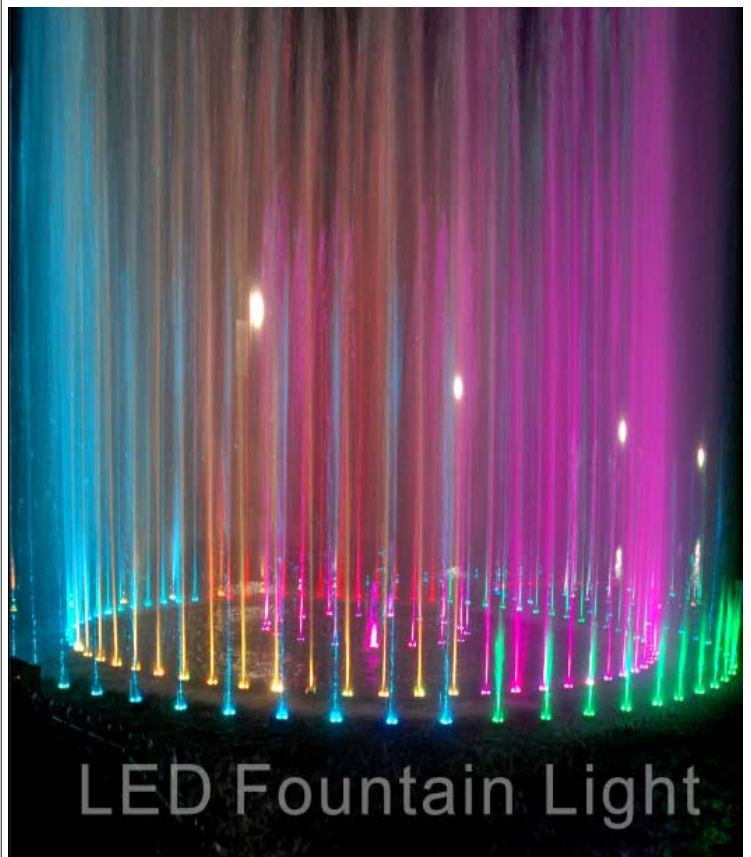
LED Fountain - Landscap -Light Features

Lumen Output	732
Wattage	13 - 21.5 Watts
Input Power	100 to 240 Volts
Efficacy	81 lm/W
Color Temperature (CCT)	3500K to 6500K
Color Rendering Index (CRI)	75
Beam Spread	25 Degs 45 Degs
Rated Life	50,000 Hrs
LEDs	9*3w Cree High power
Housing	Die Cast Aluminium Toughened Glass
Mounting Options	Base
Dimensions	160mm Dia x 36mm
Power Supply	Inbuilt ref -----
Voltage	12 Volts
Warranty	2 Years
Environment	IP68
Approvals	CE Approved and ROHS Compliant

TAURUS

Applications:

- Outdoor Fountains
- Pool Lighting
- Exterior Lighting



LED Fountain Light

The Fountain Business Park Ellis Street Coatbridge ML5 3AA
 Phone: 07540 479985 Email: sales@edenillumination.com

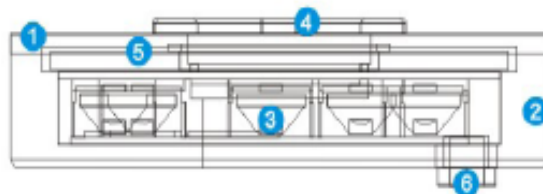
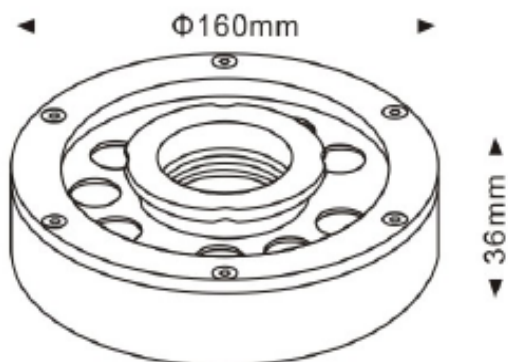
The Studio 55 Castle Terrace Leven Fife KY8 5EU
 Phone: 07905 565604 Email: sales@edenillumination.com

Web: www.edenillumination.com

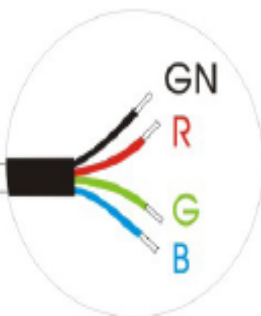
TAURUS

Weights & Thermal Data

Lamp Type	Weight (kg)	Minimum Operating Temp (-25 °C)	Maximum Ambient Temp (50 °C)
Led	1.1kgs		



1. Stainless steel trim
2. Die-cast aluminum housing
3. Hi-Power LED
4. Stainless steel pole
5. 5 mm tempered glass
6. Brass cable gland



Order Details

Description Code	Beam Angle Deg		LED Colour Option							
	25	45	Red	Green	Blue	Amber	White	Warm White	RGB	RGB 3 IN 1
TAURUS	25	45	Red	Green	Blue	Amber	White	Warm White	RGB	RGB 3 IN 1
ED60-TAURUS-	M	W	R	G	B	A	C/W	W/W	RGB	3IN1
*	*		*							

Example Order (*) ED60-TAURUS-M-R

Available Light Output Colours



We reserve the right to make changes at any time in order to maintain the highest product quality.

The Fountain Business Park Ellis Street Coatbridge ML5 3AA
 Phone: 07540 479985 Email: sales@edenillumination.com

The Studio 55 Castle Terrace Leven Fife KY8 5EU
 Phone: 07905 565604 Email: sales@edenillumination.com

Web: www.edenillumination.com

TAURUS REV-A SEP-2009

