

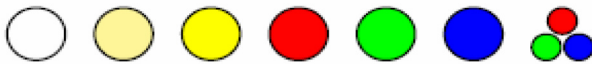
SERPENT FLEX

 Led Lighting Solutions Provider



- The three key benefits of LEDs, Efficiency, Lifetime, and Safety,

Available Light Output Colours



Benefits

- Super Bright 3528 & 5060 SMD LEDs.
- Little or no heat, low power consumption.
- Can be cut to size at marked intervals and rejoined by electricians.
- Operating temperature: -10 C ~ 40 heat C.
- Long life span of LED lights, 30,000 hours plus.
- RGB Color changing available.
- Continuous length flexible LED light strips
- Solid-state, high vibration resistant SMD chips.
- Small & powerful LED!

Features

| | |
|-----------------------------|--|
| Lumen Output | N/A |
| Input Power | 220 to 240 Volts |
| Efficacy | N/A |
| Color Temperature (CCT) | 3000K - 6000K |
| Color Rendering Index (CRI) | 75 |
| Beam Spread | 40 Degs |
| Rated Life | 50,000 Hrs |
| LEDs | Solid-state, high vibration resistant SMD chips. |
| Housing | Flexible LED Strip |
| Mounting Options | Double Sided Tape |
| Dimensions | 10mm wide 25 metre roll |
| Power Supply | Transformer 12 Volts |
| Voltage | 12Volt |
| Warranty | 3 Years |
| Environment | IP20 OR IP65 |

Applications

Because of its versatility and many advantages the LED Light Strip is suitable for many applications in various categories:

- Architecture, ambience & decorative lighting
- Architectural lights for canopy,corridor,window,archway
- Accent lighting
- Contour lighting
- Cove lighting
- Recessed lighting
- Route-, marking lighting
- Stair-, doorstep and skirting lighting
- Advertising lighting
- Display lighting
- Stage, theatre, club or casino lighting
- Retail, corporate, public, residential
- DIY lights for home use
- Decorative lights for holiday,event,show,exhibition

SERPENT FLEX

The Fountain Business Park Ellis Street Coatbridge ML5 3AA
Phone: 07540 479985 Email:sales@edenillumination.com

The Studio 55 Castle Terrace Leven Fife KY8 5EU
Phone: 07905 565604 Email: sales@edenillumination.com

Web: www.edenillumination.com

© Copyright www.edenillumination.com



SERPENT FLEX

RGB ALSO AVAILABLE



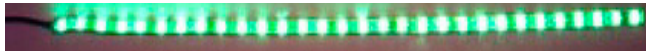
WHITE



WARM WHITE



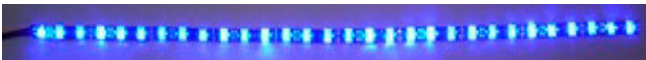
RED



GREEN



AMBER



BLUE



Weights & Thermal Data

| Lamp Type | Weight (kg) | Minimum Operating Temp (-10°C) | Maximum Ambient Temp (+40°C) |
|-----------|-------------|--------------------------------|------------------------------|
| SMD | | | |



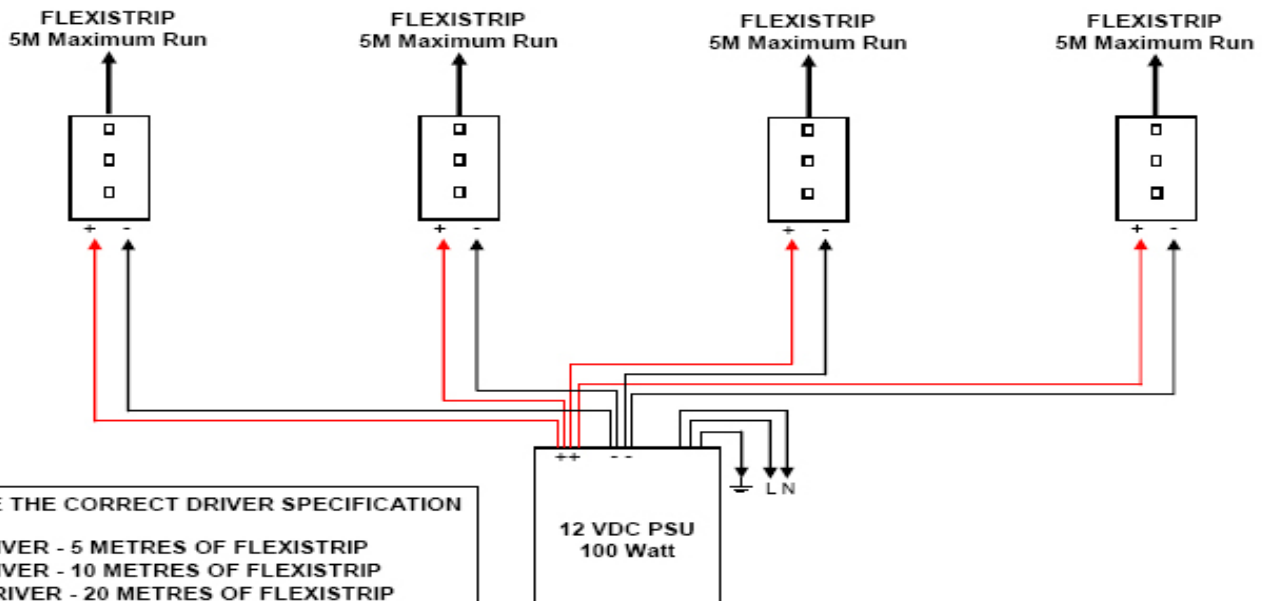
Order Details

| Description Code | Colour Code | | | | | | IP Rating | | Lengths available Complete With Transformer | | | |
|------------------|-------------|---------|-----|-------|-------|------|-----------|------|---|-----|------|------|
| | C/White | W/White | Red | Green | Amber | Blue | INT | EXT | 5M | 10M | 20M | 30M |
| SERPENT | W | W/W | R | G | A | B | IP20 | IP65 | 25W | 50W | 100W | 150W |
| ED05-SERP | * | | | | | | * | | * | | | |

Example Order ED05-SERP-W-IP20-5M-25W

NOTE: TO AVOID VOLTAGE DROP WITHIN THE FLEXISTRIP

- Do not exceed 5 metres of FlexiStrip on one supply cable.
- Driver location 10 metres or less from start of FlexiStrip - USE 1.5mm² cable from driver to FlexiStrip
- Driver location between 10 and 30 metres from start of FlexiStrip - USE 2.5mm² cable from driver to FlexiStrip



ENSURE YOU USE THE CORRECT DRIVER SPECIFICATION

- 25 WATT DRIVER - 5 METRES OF FLEXISTRIP
- 50 WATT DRIVER - 10 METRES OF FLEXISTRIP
- 100 WATT DRIVER - 20 METRES OF FLEXISTRIP
- 150 WATT DRIVER - 30 METRES OF FLEXISTRIP

We reserve the right to make changes at any time in order to maintain the highest product quality.

The Fountain Business Park Ellis Street Coatbridge ML5 3AA
 Phone: 07540 479985 Email: sales@edenillumination.com

The Studio 55 Castle Terrace Leven Fife KY8 5EU
 Phone: 07905 565604 Email: sales@edenillumination.com

