

SERPENT FLEX

 Led Lighting Solutions Provider



- The three key benefits of LEDs, Efficiency, Lifetime, and Safety,

Available Light Output Colours



Benefits

- Super Bright 3528 & 5060 SMD LEDs.
- Little or no heat, low power consumption.
- Can be cut to size at marked intervals and rejoined by electricians.
- Operating temperature: -10 C ~ 40 heat C.
- Long life span of LED lights, 30,000 hours plus.
- RGB Color changing available.
- Continuous length flexible LED light strips
- Solid-state, high vibration resistant SMD chips.
- Small & powerful LED!

Features

Lumen Output	N/A
Input Power	220 to 240 Volts
Efficacy	N/A
Color Temperature (CCT)	3000K - 6000K
Color Rendering Index (CRI)	75
Beam Spread	40 Degs
Rated Life	50,000 Hrs
LEDs	Solid-state, high vibration resistant SMD chips.
Housing	Flexible LED Strip
Mounting Options	Double Sided Tape
Dimensions	10mm wide 25 metre roll
Power Supply	Transformer 12 Volts
Voltage	12Volt
Warranty	3 Years
Environment	IP20 OR IP65

Applications

Because of its versatility and many advantages the LED Light Strip is suitable for many applications in various categories:

- Architecture, ambience & decorative lighting
- Architectural lights for canopy,corridor,window,archway
- Accent lighting
- Contour lighting
- Cove lighting
- Recessed lighting
- Route-, marking lighting
- Stair-, doorstep and skirting lighting
- Advertising lighting
- Display lighting
- Stage, theatre, club or casino lighting
- Retail, corporate, public, residential
- DIY lights for home use
- Decorative lights for holiday,event,show,exhibition

SERPENT FLEX

The Fountain Business Park Ellis Street Coatbridge ML5 3AA
Phone: 07540 479985 Email:sales@edenillumination.com

The Studio 55 Castle Terrace Leven Fife KY8 5EU
Phone: 07905 565604 Email: sales@edenillumination.com

Web: www.edenillumination.com

© Copyright www.edenillumination.com



SERPENT FLEX

RGB ALSO AVAILABLE



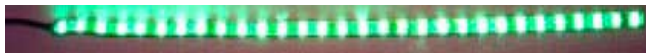
WHITE



WARM WHITE



RED



GREEN



AMBER



BLUE



Weights & Thermal Data

Lamp Type	Weight (kg)	Minimum Operating Temp (-10°C)	Maximum Ambient Temp (+40°C)
SMD			



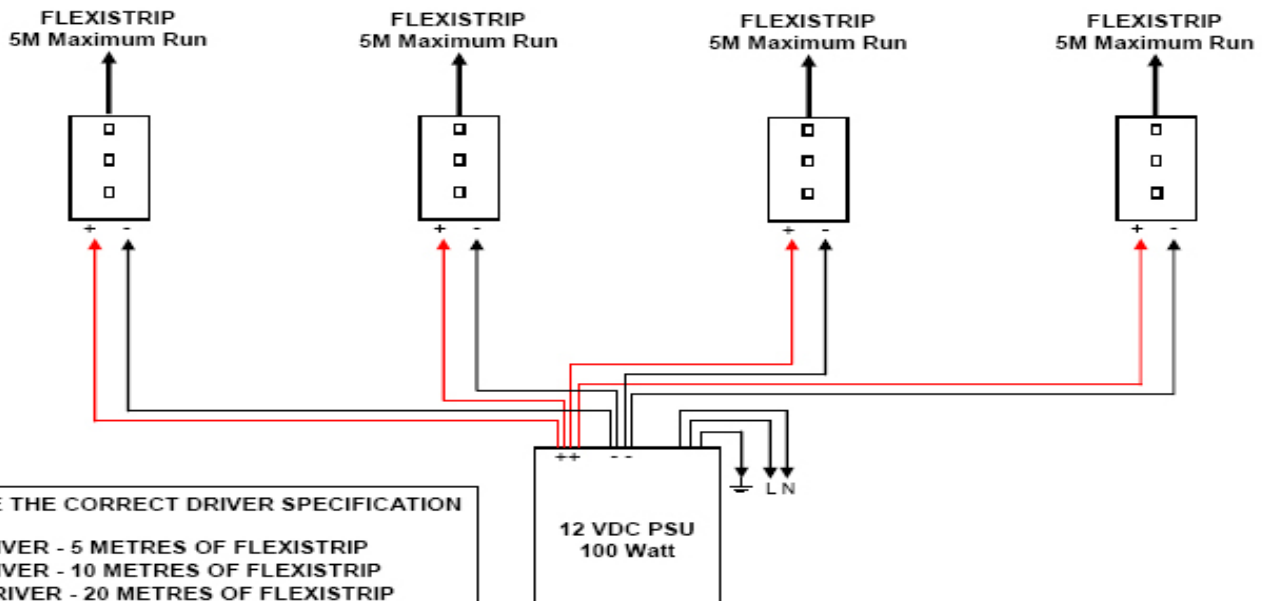
Order Details

Description Code	Colour Code						IP Rating		Lengths available Complete With Transformer			
	C/White	W/White	Red	Green	Amber	Blue	INT	EXT	5M	10M	20M	30M
SERPENT	W	W/W	R	G	A	B	IP20	IP65	25W	50W	100W	150W
ED05-SERP	*						*		*			

Example Order ED05-SERP-W-IP20-5M-25W

NOTE: TO AVOID VOLTAGE DROP WITHIN THE FLEXISTRIP

- Do not exceed 5 metres of FlexiStrip on one supply cable.
- Driver location 10 metres or less from start of FlexiStrip - USE 1.5mm² cable from driver to FlexiStrip
- Driver location between 10 and 30 metres from start of FlexiStrip - USE 2.5mm² cable from driver to FlexiStrip



ENSURE YOU USE THE CORRECT DRIVER SPECIFICATION

- 25 WATT DRIVER - 5 METRES OF FLEXISTRIP
- 50 WATT DRIVER - 10 METRES OF FLEXISTRIP
- 100 WATT DRIVER - 20 METRES OF FLEXISTRIP
- 150 WATT DRIVER - 30 METRES OF FLEXISTRIP

We reserve the right to make changes at any time in order to maintain the highest product quality.

The Fountain Business Park Ellis Street Coatbridge ML5 3AA
 Phone: 07540 479985 Email: sales@edenillumination.com

The Studio 55 Castle Terrace Leven Fife KY8 5EU
 Phone: 07905 565604 Email: sales@edenillumination.com

Web: www.edenillumination.com

SERPENT-FLEX-REV-A SEP-2009

© Copyright www.edenillumination.com

